

MBR1020FCT~MBR10100FCT

SCHOTTKY BARRIER RECTIFIERS

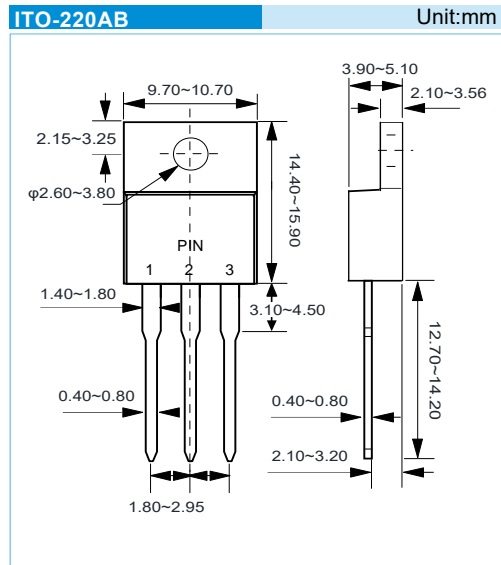
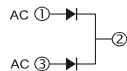
VOLTAGE 20 to 100 Volt **CURRENT** 10 Amper

FEATURES

- High surge capacity
- High Efficiency
- Low Forward Voltage , High Current Capability
- Lead free in compliance with EU RoHS

MECHANICAL DATA

- Case Material: Molded Plastic.
- UL Flammability Classification Rating 94V-0



MAXIMUM RATINGS AND ELECTRICAL CHARACTERISTICS

Ratings at 25°C ambient temperature unless otherwise specified. Resistive or inductive load.

PARAMETER	SYMBOL	MBR1020FCT	MBR1030FCT	MBR1040FCT	MBR1045FCT	MBR1060FCT	MBR1080FCT	MBR10100FCT	UNITS	
Maximum Recurrent Peak Reverse Voltage	V_{RRM}	20	30	40	45	60	80	100	V	
Maximum RMS Voltage	V_{RMS}	14	21	28	31.5	42	56	70	V	
Maximum DC Blocking Voltage	V_{DC}	20	30	40	45	60	80	100	V	
Maximum Average Forward Current (See Figure 1)	$I_{F(AV)}$	10							A	
Peak Forward Surge Current : 8.3ms single half sine-wave superimposed on rated load	I_{FSM}	120							A	
Maximum Forward Voltage at 5A per leg	V_F	0.7			0.75		0.85		V	
Maximum DC Reverse Current at Rated DC Blocking Voltage $T_c=25^{\circ}C$ $T_c=100^{\circ}C$	I_R	0.1					50			mA
Typical Thermal Resistance	$R_{\theta JC}$	3							$^{\circ}C / W$	
Operating Junction and Storage Temperature Range	T_J, T_{STG}	-55 to +150							$^{\circ}C$	

MBR1020FCT~MBR10100FCT

RATING AND CHARACTERISTIC CURVES

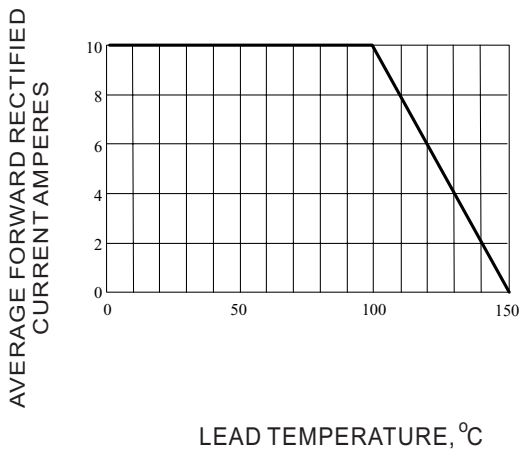


Fig.1-FORWARD CURRENT DERATING CURVE

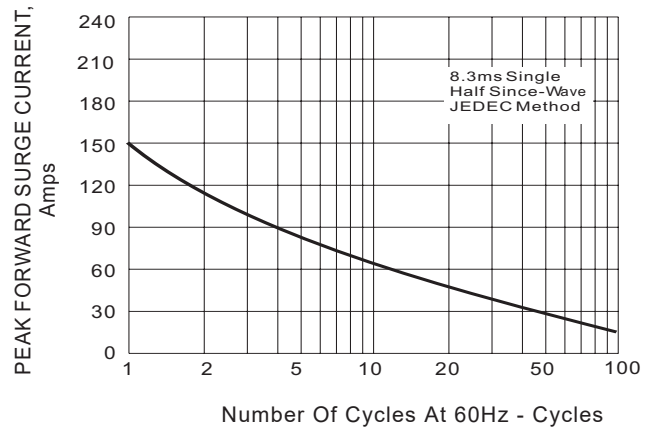


Fig.2- MAXIMUM NON - REPETITIVE SURGE CURRENT

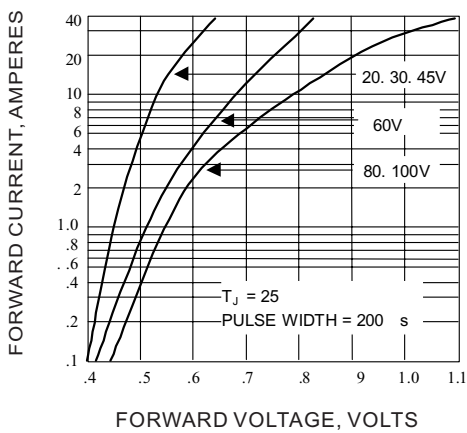


Fig.3- TYPICAL INSTANTANEOUS FORWARD CHARACTERISTIC

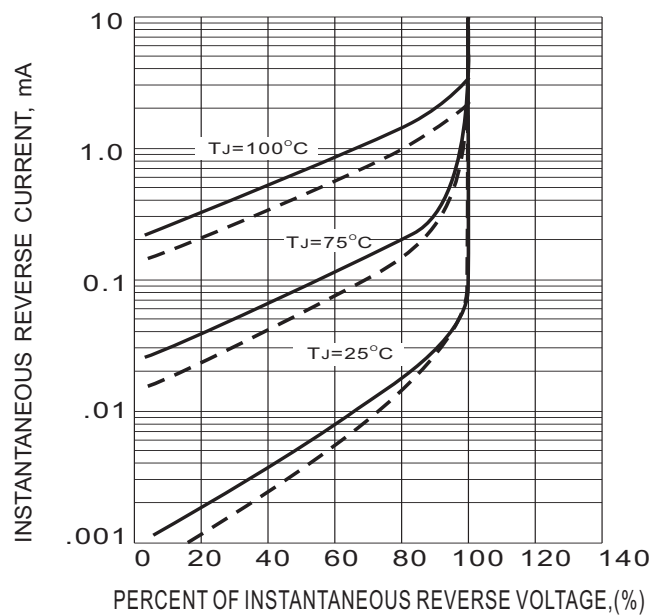


Fig.4- TYPICAL REVERSE CHARACTERISTIC

MBR1020FCT~MBR10100FCT

ORDER INFORMATION

- Packing information

Part Number	Case	Reel Size	QUANTITY
MBR1020FCT~MBR10100FCT	ITO-220AB	Tube	1000/BOX