

# RS601~RS607

## BRIDGE RECTIFIERS

**VOLTAGE** 50 to 1000 Volt **CURRENT** 6 Ampere

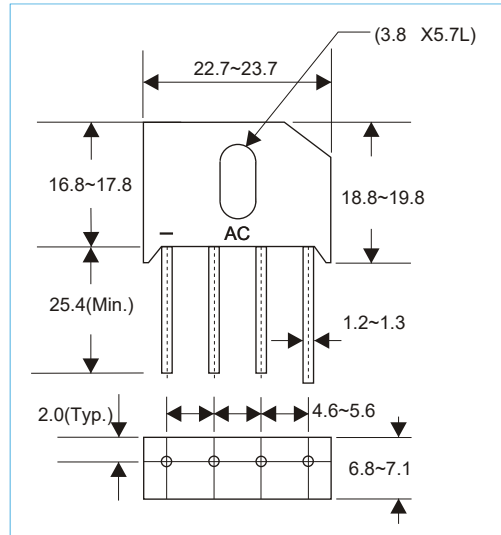
**RS-6** Unit:mm

### FEATURES

- Glass passivated chip junction
- Low leakage current
- Low forward voltage
- Ideal for Printed Circuit Boards
- Lead free in compliance with EU RoHS

### MECHANICAL DATA

- Case Material: Molded Plastic.
- UL Flammability Classification Rating 94V-0



## MAXIMUM RATINGS AND ELECTRICAL CHARACTERISTICS

Ratings at 25°C ambient temperature unless otherwise specified.

PARAMETER	SYMBOL	RS601	RS602	RS603	RS604	RS605	RS606	RS607	UNITS
Maximum Recurrent Peak Reverse Voltage	$V_{RRM}$	50	100	200	400	600	800	1000	V
Maximum RMS Voltage	$V_{RMS}$	35	70	140	280	420	560	700	V
Maximum DC Blocking Voltage	$V_{DC}$	50	100	200	400	600	800	1000	V
Maximum Average Forward Current (see FIG.1)	$I_{F(AV)}$	6							A
Peak Forward Surge Current : 8.3ms single half sine-wave superimposed on rated load	$I_{FSM}$	200							A
Maximum Forward Voltage at 3.0 A	$V_F$	1.1							V
Maximum DC Reverse Current at Rated DC Blocking Voltage	$I_R$	10 1000							$\mu A$
Thermal Resistance(Note1)	$R_{\theta JA}$	4.7							$^{\circ}C / W$
Typical Junction Capacitance(Note2)	$C_J$	55							pF
Operating Junction Temperature Range	$T_J$	-55 to +125							$^{\circ}C$
Storage Temperature Range	$T_{STG}$	-55 to +150							$^{\circ}C$

### NOTES:

1. Thermal Resistance junction to case per diode.
2. Measured at 1.0MHz and applied reverse voltage of 4.0V DC.

# RS601~RS607

## RATING AND CHARACTERISTIC CURVES

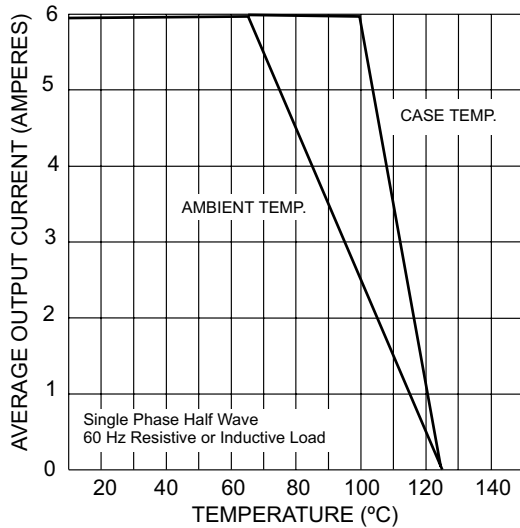


Fig. 1 Forward Current Derating Curve

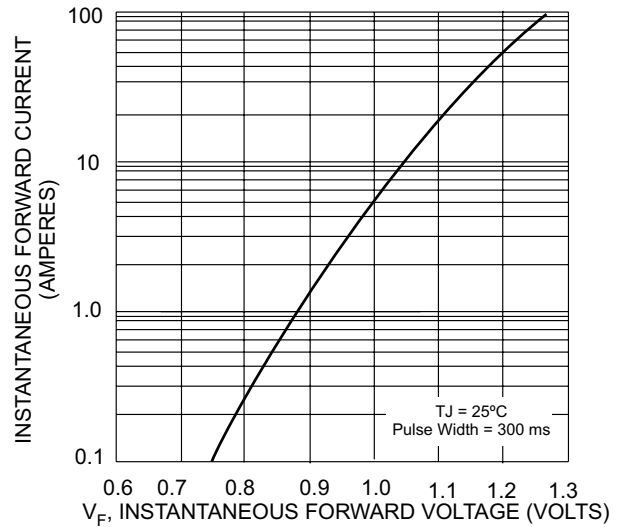


Fig. 2 Typical Forward Characteristics

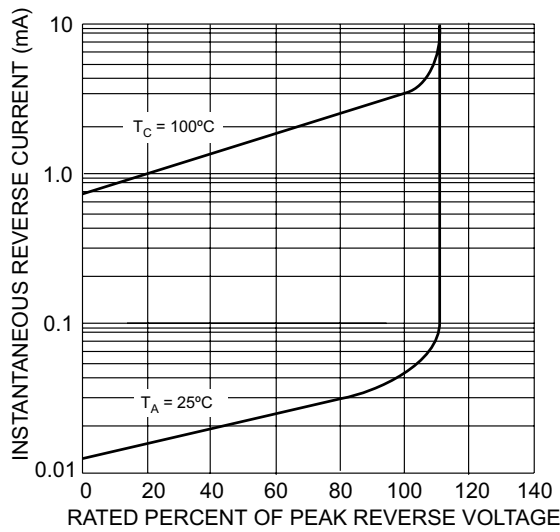


Fig. 3 Typical Reverse Characteristics

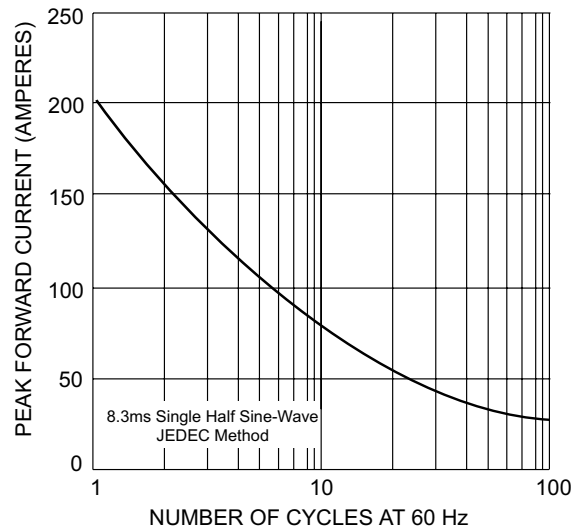


Fig. 4 Max Non-Repetitive Peak Fwd Surge Current

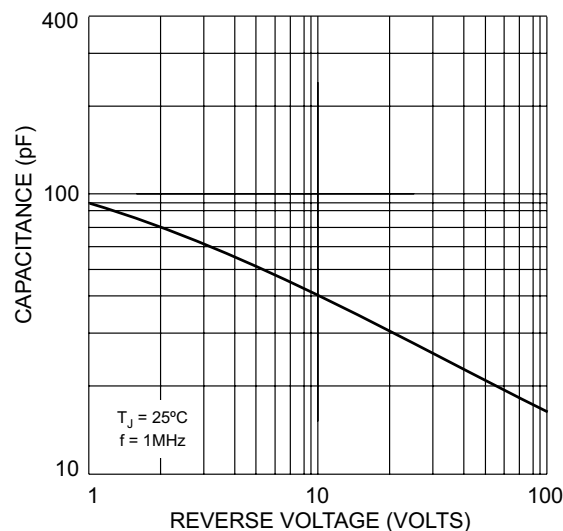


Fig. 5 Typical Junction Capacitance Per Element

## RS601~RS607

---

### ORDER INFORMATION

- Packing information

Part Number	Case	DELIVERY MODE	QUANTITY
RS601~RS607	RS-6	BULK	400pcs/Box