

# KBP4005G~KBP410G

## BRIDGE RECTIFIERS

**VOLTAGE** 50 to 1000 Volt **CURRENT** 4 Ampere

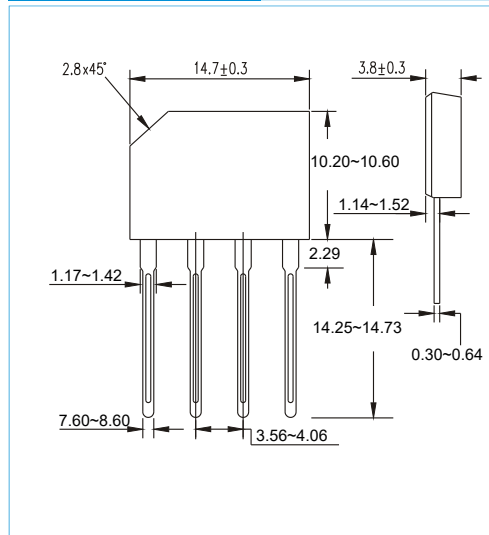
**GBP** Unit:mm

### FEATURES

- Glass Passivated Die Construction
- High Current Capability
- High Reliability
- High Surge Current Capability
- Ideal for Printed Circuit Boards
- Lead free in compliance with EU RoHS

### MECHANICAL DATA

- Case Material: Molded Plastic.
- UL Flammability Classification Rating 94V-0



## MAXIMUM RATINGS AND ELECTRICAL CHARACTERISTICS

Ratings at 25°C ambient temperature unless otherwise specified.

PARAMETER	SYMBOL	KBP4005G	KBP401G	KBP402G	KBP404G	KBP406G	KBP408G	KBP410G	UNITS
Maximum Recurrent Peak Reverse Voltage	$V_{RRM}$	50	100	200	400	600	800	1000	V
Maximum RMS Voltage	$V_{RMS}$	35	70	140	280	420	560	700	V
Maximum DC Blocking Voltage	$V_{DC}$	50	100	200	400	600	800	1000	V
Maximum Average Forward Current (see FIG.1)	$I_{F(AV)}$	4							A
Peak Forward Surge Current : 8.3ms single half sine-wave superimposed on rated load	$I_{FSM}$	110							A
Maximum Forward Voltage at 2.0 A	$V_F$	1.05							V
Maximum DC Reverse Current at Rated DC Blocking Voltage	$I_R$	10 500							$\mu A$
Thermal Resistance	$R_{\theta JA}$	40							$^{\circ}C / W$
Operating Junction Temperature Range	$T_J$	-55 to +150							$^{\circ}C$
Storage Temperature Range	$T_{STG}$	-55 to +150							$^{\circ}C$

# KBP4005G~KBP410G

## RATING AND CHARACTERISTIC CURVES

Fig. 1 Forward Current Derating Curve

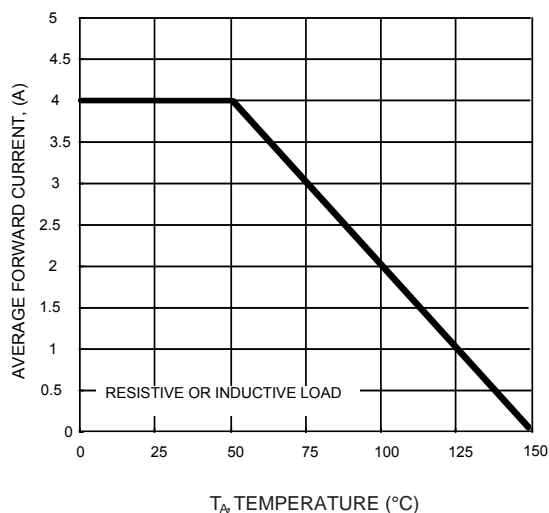


Fig. 2 Typical Fwd Characteristics

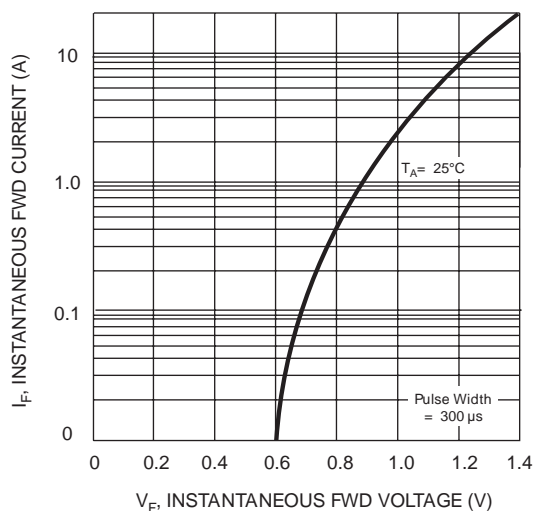


Fig. 3 Max Non-Repetitive Peak Fwd Surge Current

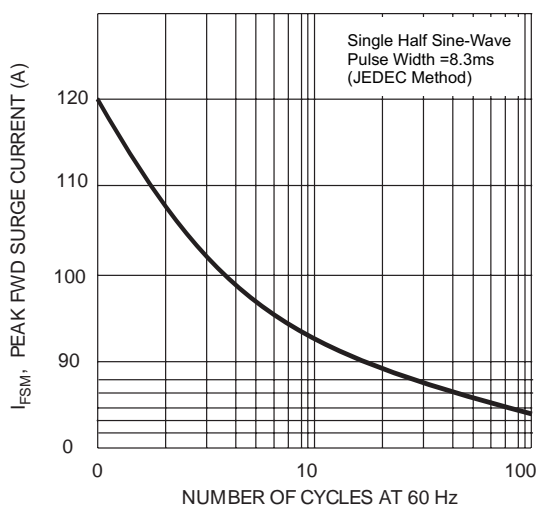


Fig. 4 Typical Junction Capacitance

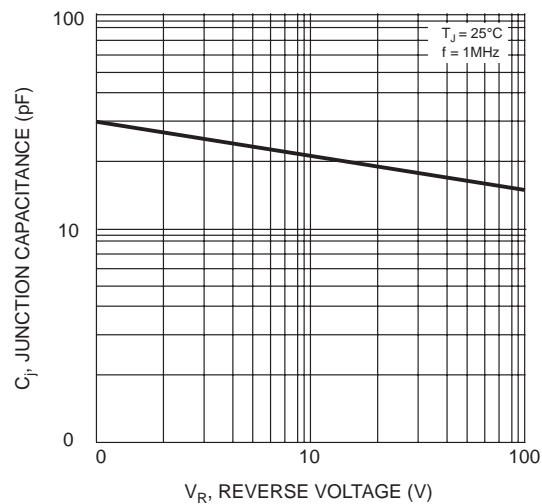
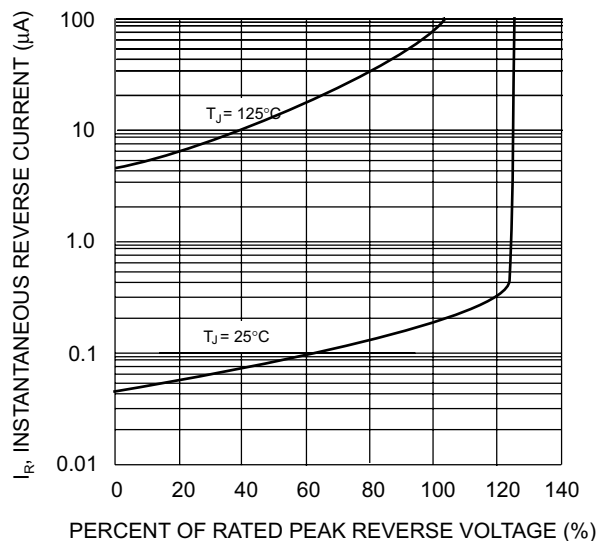


Fig. 5 Typical Reverse Characteristics (per element)



## KBP4005G~KBP410G

---

### ORDER INFORMATION

- Packing information

Part Number	Case	DELIVERY MODE	QUANTITY
KBP4005G~KBP410G	GBP	BULK	5000/Ctn