

KBP3005G~KBP310G

BRIDGE RECTIFIERS

VOLTAGE 50 to 1000 Volt **CURRENT** 3 Ampere

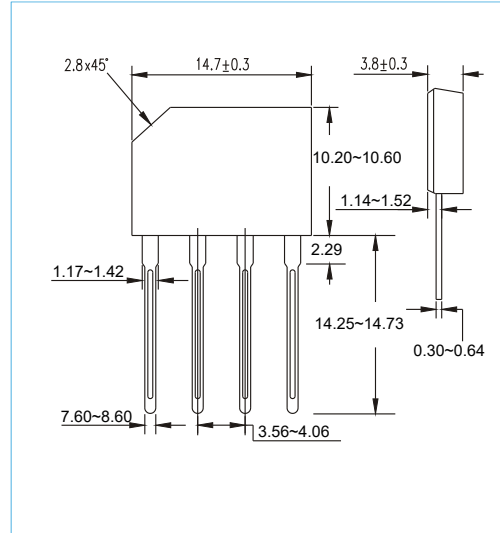
GBP Unit:mm

FEATURES

- Glass Passivated Die Construction
- High Current Capability
- High Reliability
- High Surge Current Capability
- Ideal for Printed Circuit Boards
- Lead free in compliance with EU RoHS

MECHANICAL DATA

- Case Material: Molded Plastic.
- UL Flammability Classification Rating 94V-0



MAXIMUM RATINGS AND ELECTRICAL CHARACTERISTICS

Ratings at 25°C ambient temperature unless otherwise specified.

PARAMETER	SYMBOL	KBP3005G	KBP301G	KBP302G	KBP304G	KBP306G	KBP308G	KBP310G	UNITS
Maximum Recurrent Peak Reverse Voltage	V_{RRM}	50	100	200	400	600	800	1000	V
Maximum RMS Voltage	V_{RMS}	35	70	140	280	420	560	700	V
Maximum DC Blocking Voltage	V_{DC}	50	100	200	400	600	800	1000	V
Maximum Average Forward Current (see FIG.1)	$I_{F(AV)}$	3							A
Peak Forward Surge Current : 8.3ms single half sine-wave superimposed on rated load	I_{FSM}	80							A
Maximum Forward Voltage at 1.5 A	V_F	1.1							V
Maximum DC Reverse Current at Rated DC Blocking Voltage	I_R	10 1000							μA
Thermal Resistance	$R_{\theta JA}$	30							$^{\circ}C / W$
Operating Junction Temperature Range	T_J	-55 to +150							$^{\circ}C$
Storage Temperature Range	T_{STG}	-55 to +150							$^{\circ}C$

KBP3005G~KBP310G

RATING AND CHARACTERISTIC CURVES

Fig. 1 Forward Current Derating Curve

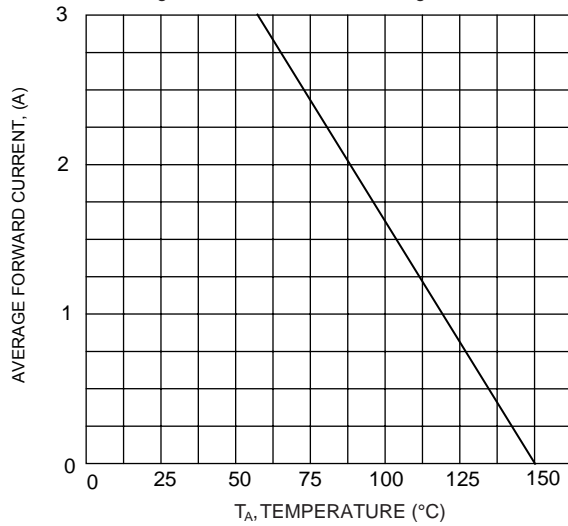


Fig. 2 Typical Fwd Characteristics

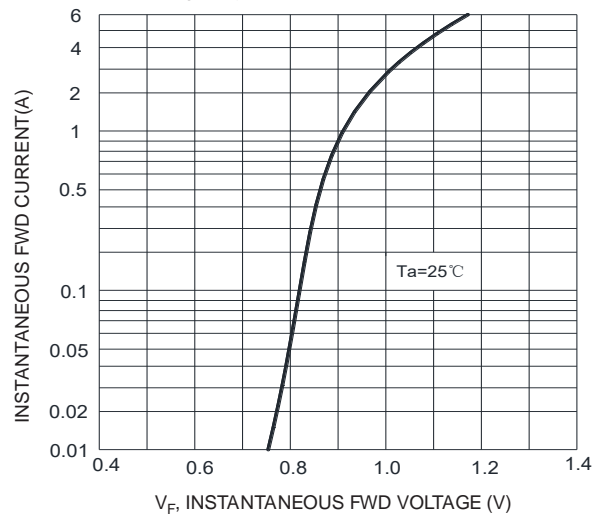


Fig. 3 Max Non-Repetitive Peak Fwd Surge Current

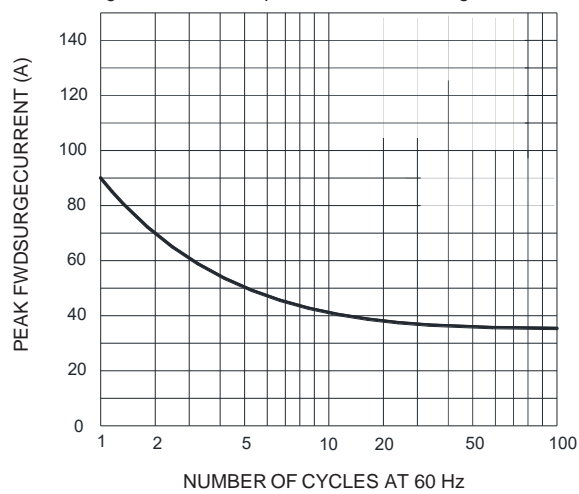
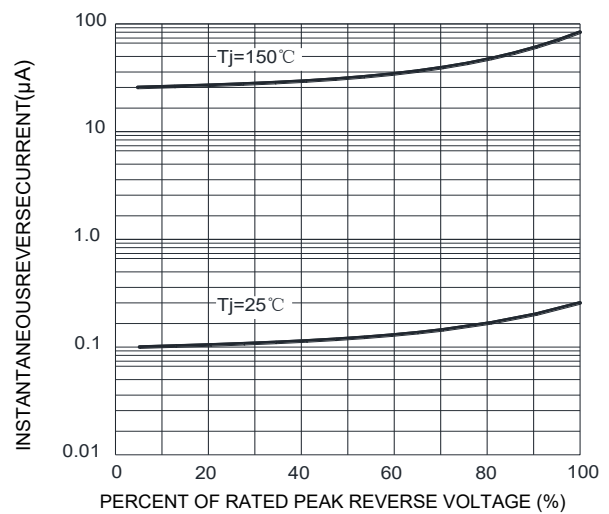


Fig. 4 Typical Reverse Characteristics (per element)



KBP3005G~KBP310G

ORDER INFORMATION

- Packing information

Part Number	Case	DELIVERY MODE	QUANTITY
KBP3005G~KBP310G	GBP	BULK	5000/Ctn