

GBU25005~GBU2510

BRIDGE RECTIFIERS

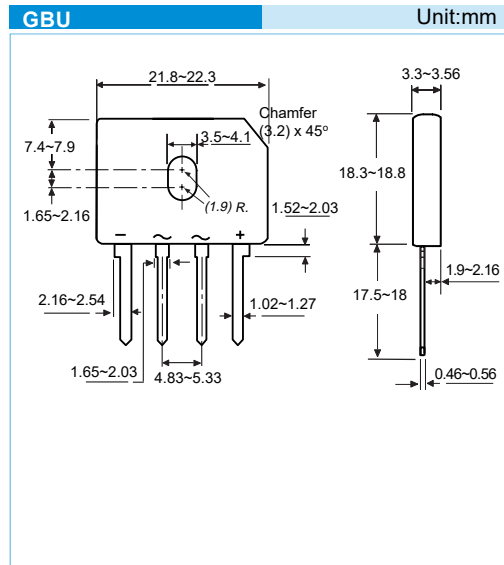
VOLTAGE 50 to 1000 Volt **CURRENT** 25 Ampere

FEATURES

- Glass passivated chip junction
- High surge current capability
- High Current Capability
- Ideal for Printed Circuit Boards
- Lead free in compliance with EU RoHS

MECHANICAL DATA

- Case Material: Molded Plastic.
- UL Flammability Classification Rating 94V-0



MAXIMUM RATINGS AND ELECTRICAL CHARACTERISTICS

Ratings at 25°C ambient temperature unless otherwise specified.

| PARAMETER | SYMBOL | GBU25005 | GBU2501 | GBU2502 | GBU2504 | GBU2506 | GBU2508 | GBU2510 | UNITS |
|---|-----------------|-------------|---------|---------|---------|---------|---------|---------|-----------------|
| Maximum Recurrent Peak Reverse Voltage | V_{RRM} | 50 | 100 | 200 | 400 | 600 | 800 | 1000 | V |
| Maximum RMS Voltage | V_{RMS} | 35 | 70 | 140 | 280 | 420 | 560 | 700 | V |
| Maximum DC Blocking Voltage | V_{DC} | 50 | 100 | 200 | 400 | 600 | 800 | 1000 | V |
| Maximum Average Forward Current (see FIG.1) | $I_{F(AV)}$ | 25 | | | | | | | A |
| Peak Forward Surge Current : 8.3ms single half sine-wave superimposed on rated load | I_{FSM} | 300 | | | | | | | A |
| Maximum Forward Voltage at 12.5 A | V_F | 1.0 | | | | | | | V |
| Maximum DC Reverse Current at Rated DC Blocking Voltage | I_R | 10 500 | | | | | | | μA |
| Thermal Resistance(Note1) | $R_{\theta JC}$ | 2.2 | | | | | | | $^{\circ}C / W$ |
| Typical Junction Capacitance(Note2) | C_J | 70 | | | | | | | pF |
| Operating Junction Temperature Range | T_J | -55 to +150 | | | | | | | $^{\circ}C$ |
| Storage Temperature Range | T_{STG} | -55 to +150 | | | | | | | $^{\circ}C$ |

NOTES:

1. Device mounted on 4 x 6 x 0.25" Al-plate heatsink.
2. Measured at 1.0MHz and applied reverse voltage of 4.0V DC.

GBU25005~GBU2510

RATING AND CHARACTERISTIC CURVES

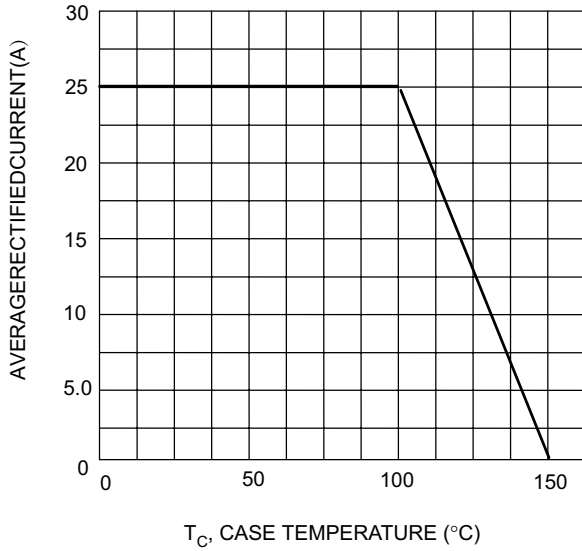


Fig. 1 Forward Current Derating Curve

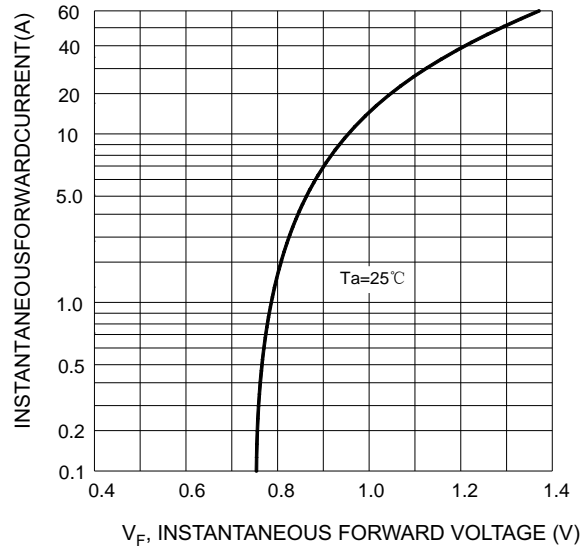


Fig. 2 Typical Forward Characteristics

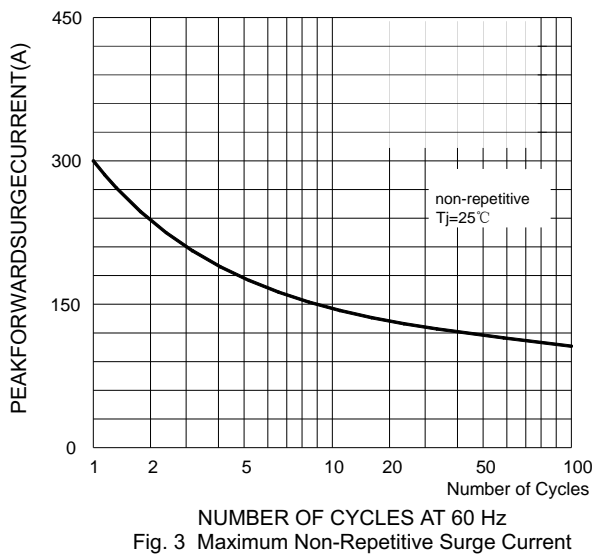


Fig. 3 Maximum Non-Repetitive Surge Current

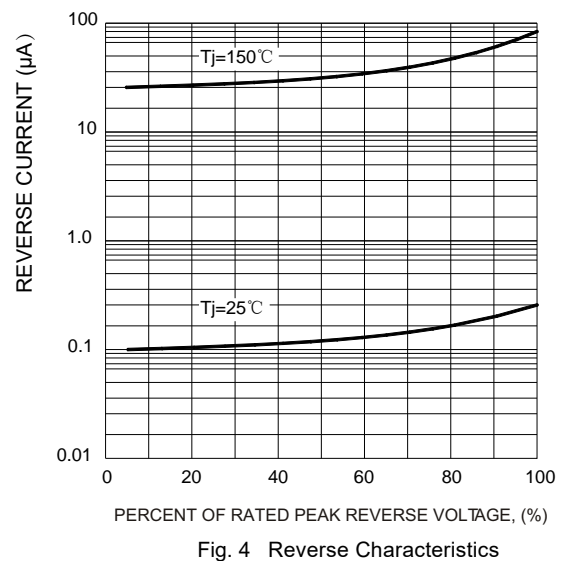


Fig. 4 Reverse Characteristics

GBU25005~GBU2510

ORDER INFORMATION

- Packing information

| Part Number | Case | DELIVERY MODE | QUANTITY |
|------------------|------|---------------|----------|
| GBU25005~GBU2510 | GBU | BULK | 2000/Ctn |