

# GBU6A~GBU6M

## BRIDGE RECTIFIERS

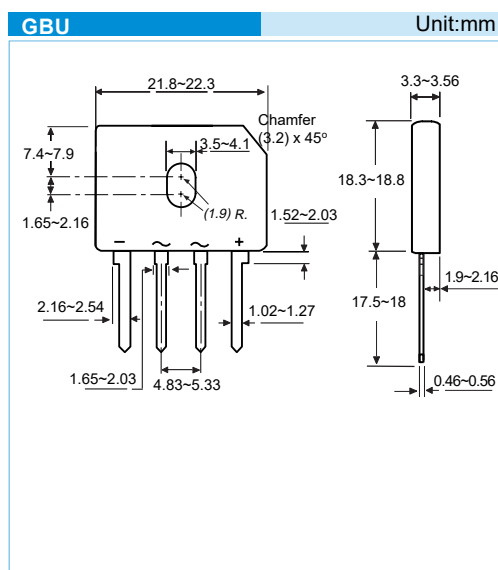
**VOLTAGE** 50 to 1000 Volt **CURRENT** 6 Ampere

### FEATURES

- Glass passivated chip junction
- High surge current capability
- High Current Capability
- Ideal for Printed Circuit Boards
- Lead free in compliance with EU RoHS

### MECHANICAL DATA

- Case Material: Molded Plastic.
- UL Flammability Classification Rating 94V-0



## MAXIMUM RATINGS AND ELECTRICAL CHARACTERISTICS

Ratings at 25°C ambient temperature unless otherwise specified.

PARAMETER	SYMBOL	GBU6A	GBU6B	GBU6D	GBU6G	GBU6J	GBU6K	GBU6M	UNITS
Maximum Recurrent Peak Reverse Voltage	$V_{RRM}$	50	100	200	400	600	800	1000	V
Maximum RMS Voltage	$V_{RMS}$	35	70	140	280	420	560	700	V
Maximum DC Blocking Voltage	$V_{DC}$	50	100	200	400	600	800	1000	V
Maximum Average Forward Current (see FIG.1)	$I_{F(AV)}$	6							A
Peak Forward Surge Current : 8.3ms single half sine-wave superimposed on rated load	$I_{FSM}$	175							A
Maximum Forward Voltage at 3.0 A	$V_F$	1.0							V
Maximum DC Reverse Current at Rated DC Blocking Voltage	$I_R$	5 500							$\mu A$
Thermal Resistance(Note1)	$R_{\theta JC}$	2.2							$^{\circ}C / W$
Typical Junction Capacitance(Note2)	$C_J$	100							pF
Operating Junction Temperature Range	$T_J$	-55 to +150							$^{\circ}C$
Storage Temperature Range	$T_{STG}$	-55 to +150							$^{\circ}C$

#### NOTES:

1. Unit mounted on 50mm x 50mm x 1.6mm copper plate heatsink.
2. Measured at 1.0MHz and applied reverse voltage of 4.0V DC.

# GBU6A~GBU6M

## RATING AND CHARACTERISTIC CURVES

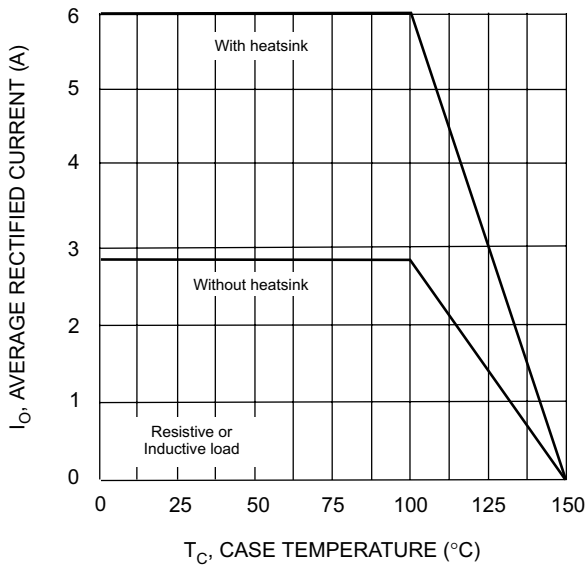


Fig. 1 Forward Current Derating Curve

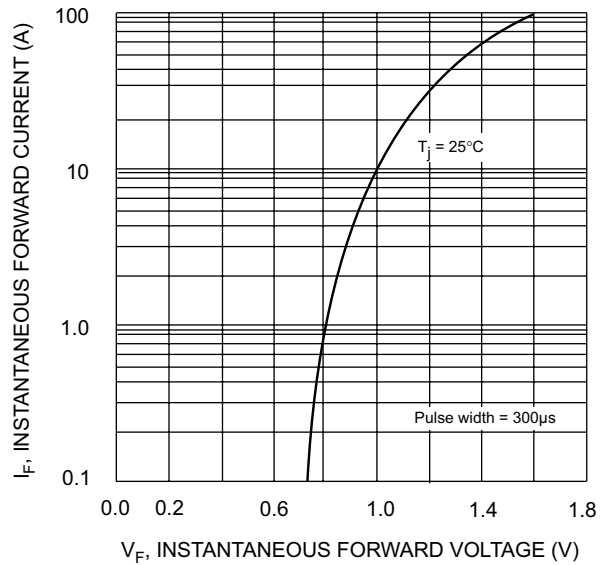


Fig. 2 Typical Forward Characteristics

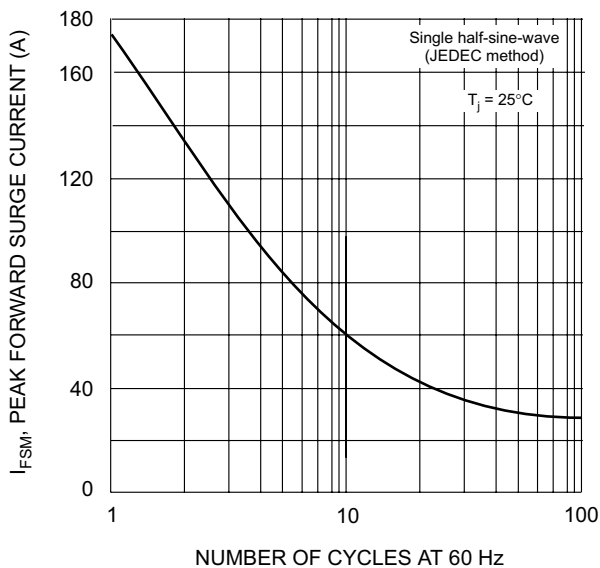


Fig. 3 Maximum Non-Repetitive Surge Current

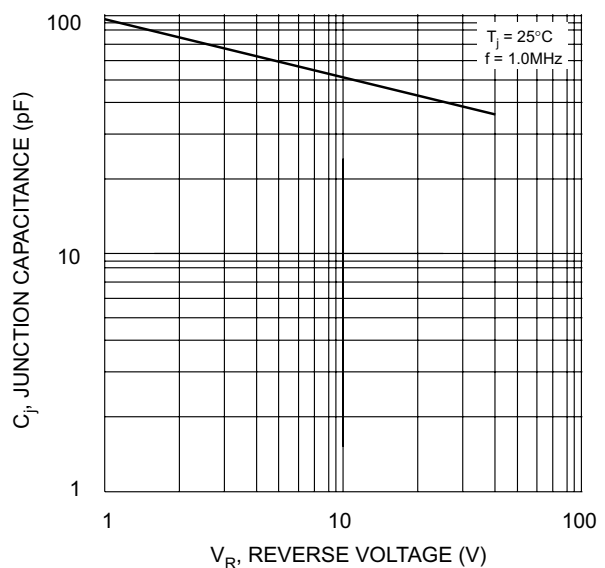


Fig. 4 Typical Junction Capacitance

## GBU6A~GBU6M

---

### ORDER INFORMATION

- Packing information

Part Number	Case	DELIVERY MODE	QUANTITY
GBU6A~GBU6M	GBU	BULK	2000/Ctn