

GBJ20005~GBJ2010

BRIDGE RECTIFIERS

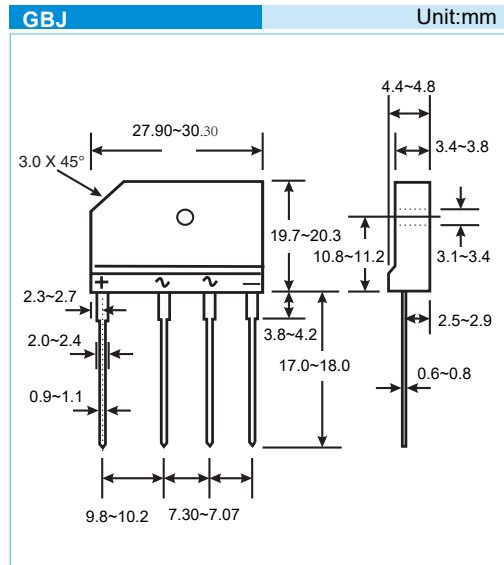
VOLTAGE 50 to 1000 Volt **CURRENT** 20 Ampere

FEATURES

- Glass passivated chip junction
- Low Forward Voltage Drop
- High Current Capability
- High reliability
- Lead free in compliance with EU RoHS

MECHANICAL DATA

- Case Material: Molded Plastic.
- UL Flammability Classification Rating 94V-0



MAXIMUM RATINGS AND ELECTRICAL CHARACTERISTICS

Ratings at 25°C ambient temperature unless otherwise specified.

PARAMETER	SYMBOL	GBJ20005	GBJ2001	GBJ2002	GBJ2004	GBJ2006	GBJ2008	GBJ2010	UNITS
Maximum Recurrent Peak Reverse Voltage	V_{RRM}	50	100	200	400	600	800	1000	V
Maximum RMS Voltage	V_{RMS}	35	70	140	280	420	560	700	V
Maximum DC Blocking Voltage	V_{DC}	50	100	200	400	600	800	1000	V
Maximum Average Forward Current (see FIG.1)	$I_{F(AV)}$	20							A
Peak Forward Surge Current : 8.3ms single half sine-wave superimposed on rated load	I_{FSM}	240							A
Maximum Forward Voltage at 10 A	V_F	1.1							V
Maximum DC Reverse Current at Rated DC Blocking Voltage	I_R	5 500							μA
Thermal Resistance (Note1)	$R_{\theta JC}$	1.5							$^{\circ}C / W$
I ² t Rating for fusing	I^2t	240							A ² S
Typical Junction Capacitance (Note2)	C_J	55							pF
Operating Junction Temperature Range	T_J	-55 to +150							$^{\circ}C$
Storage Temperature Range	T_{STG}	-55 to +150							$^{\circ}C$

NOTES:

1. Thermal resistance from junction to case per element. Unit mounted on 75 x 75 x 1.6mm aluminum plate heat sink.
2. Measured at 1.0MHz and applied reverse voltage of 4.0 volt

GBJ20005~GBJ2010

RATING AND CHARACTERISTIC CURVES

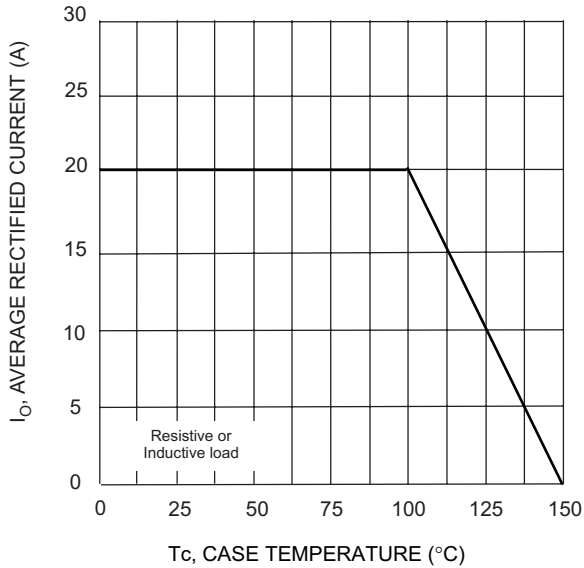


Fig. 1 Forward Current Derating Curve

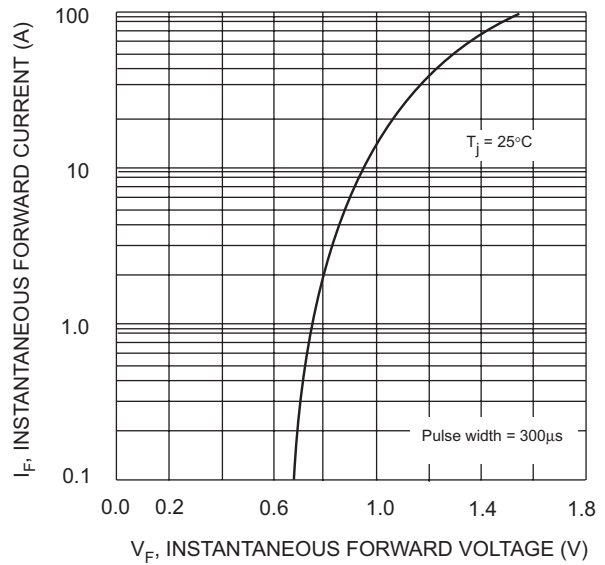


Fig. 2 Typical Fwd Characteristics

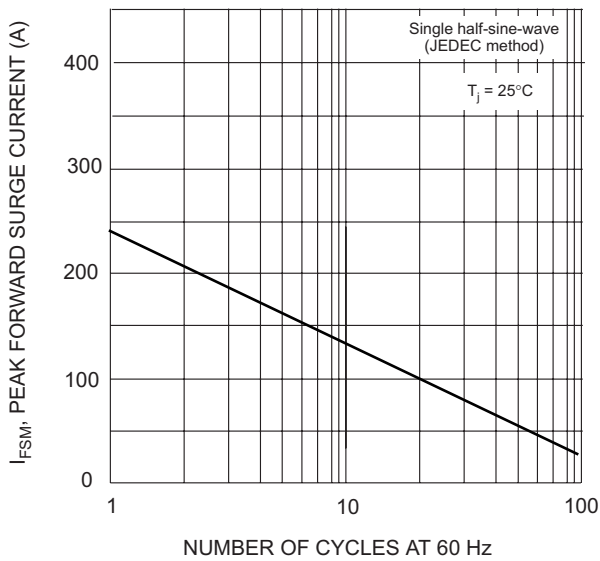


Fig. 3 Maximum Non-Repetitive Surge Current

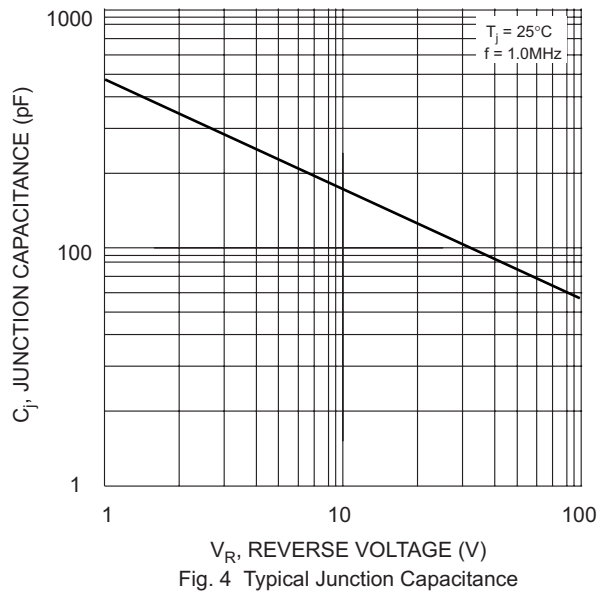


Fig. 4 Typical Junction Capacitance

GBJ20005~GBJ2010

ORDER INFORMATION

- Packing information

Part Number	Case	DELIVERY MODE	QUANTITY
GBJ20005~GBJ2010	GBJ	BULK	1500/Ctn