

# DB201~DB207

## BRIDGE RECTIFIERS

**VOLTAGE** 50 to 1000 Volt **CURRENT** 2.0 Ampere

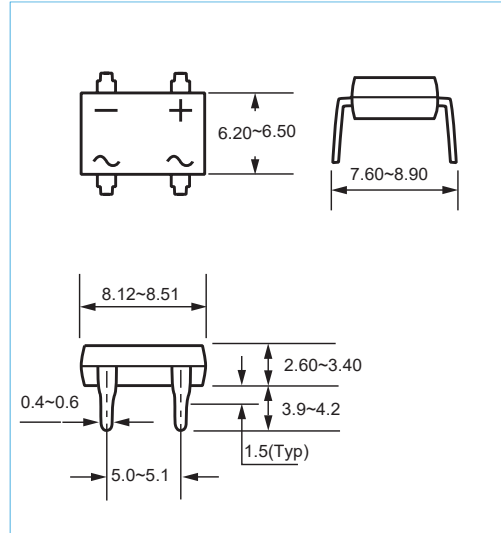
**DB-1** Unit:mm

### FEATURES

- Glass Passivated Diode Construction
- Polarity symbols molded on body
- Ideal for printed circuit board
- Lead free in compliance with EU RoHS

### MECHANICAL DATA

- Case Material: Molded Plastic.
- UL Flammability Classification Rating 94V-0



## MAXIMUM RATINGS AND ELECTRICAL CHARACTERISTICS

Ratings at 25°C ambient temperature unless otherwise specified.

PARAMETER	SYMBOL	DB201	DB202	DB203	DB204	DB205	DB206	DB207	UNITS
Maximum Recurrent Peak Reverse Voltage	$V_{RRM}$	50	100	200	400	600	800	1000	V
Maximum RMS Voltage	$V_{RMS}$	35	70	140	280	420	560	700	V
Maximum DC Blocking Voltage	$V_{DC}$	50	100	200	400	600	800	1000	V
Maximum Average Forward Current (see FIG.1)	$I_{F(AV)}$	2.0							A
Peak Forward Surge Current : 8.3ms single half sine-wave superimposed on rated load	$I_{FSM}$	60							A
Maximum Forward Voltage at 2.0 A	$V_F$	1.1							V
Maximum DC Reverse Current at Rated DC Blocking Voltage	$I_R$	10 500							$\mu A$
Thermal Resistance	$R_{\theta JC}$	40							°C / W
Operating Junction Temperature Range	$T_J$	-55 to +150							°C
Storage Temperature Range	$T_{STG}$	-55 to +150							°C

# DB201~DB207

## RATING AND CHARACTERISTIC CURVES

FIG. 1 - TYPICAL FORWARD CURRENT DERATING CURVE

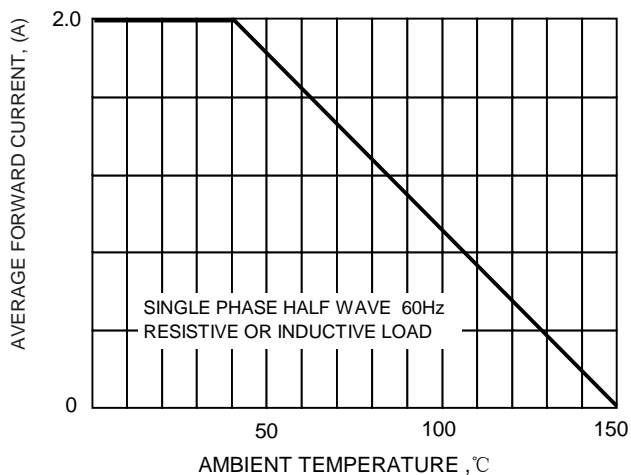


FIG. 2 - MAXIMUM NON-REPETITIVE FORWARD SURGE CURRENT

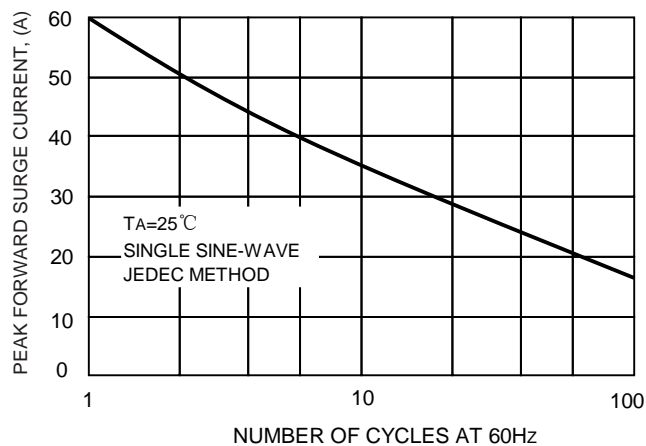


FIG.3-TYPICAL FORWARD CHARACTERISTICS

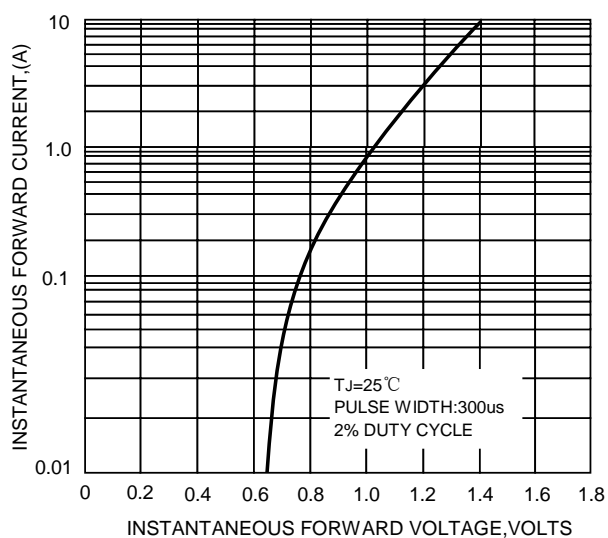
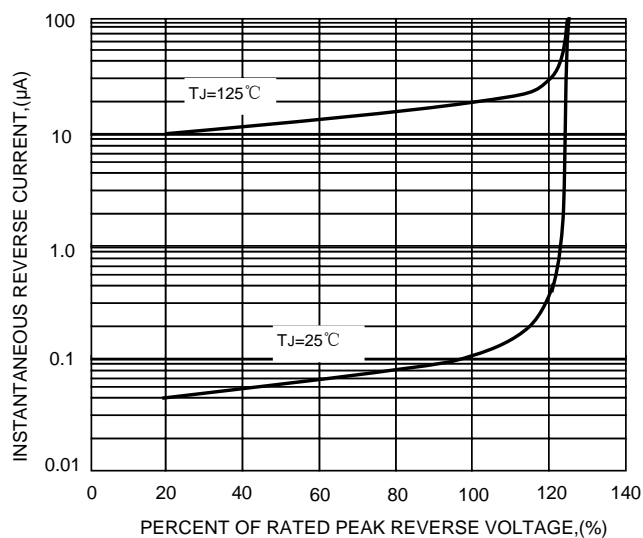


FIG.5-TYPICAL REVERSE CHARACTERISTICS



## DB201~DB207

---

### ORDER INFORMATION

- Packing information

Part Number	Case	DELIVERY MODE	QUANTITY
DB201~DB207	DB-1	Bulk	2500/Box