

AB12S~AB110S

SURFACE MOUNT SCHOTTKY BRIDGE RECTIFIERS

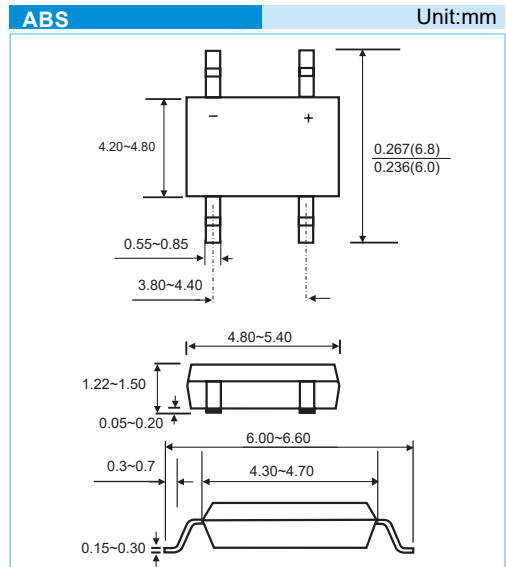
VOLTAGE	20 to 100 Volt	CURRENT	1.0 Ampere
----------------	-----------------------	----------------	-------------------

FEATURES

- High surge forward current capability
- High surge current capability
- Lead free in compliance with EU RoHS

MECHANICAL DATA

- Case Material: Molded Plastic.
- UL Flammability Classification Rating 94V-0



MAXIMUM RATINGS AND ELECTRICAL CHARACTERISTICS

Ratings at 25°C ambient temperature unless otherwise specified.

PARAMETER	SYMBOL	AB12S	AB14S	AB16S	AB18S	AB110S	UNITS
Maximum Recurrent Peak Reverse Voltage	V_{RRM}	20	40	60	80	100	V
Maximum RMS Voltage	V_{RMS}	14	28	42	56	70	V
Maximum DC Blocking Voltage	V_{DC}	20	40	60	80	100	V
Maximum Average Forward Current (see FIG.1)	$I_{F(AV)}$	1.0					A
Peak Forward Surge Current : 8.3ms single half sine-wave superimposed on rated load	I_{FSM}	30					A
Maximum Forward Voltage at 0.5 A	V_F	0.55		0.65		0.85	V
Maximum DC Reverse Current at Rated DC Blocking Voltage	I_R	0.5					mA
Thermal Resistance	$R_{\theta JL}$	20					°C / W
Operating Junction Temperature Range	T_J	-55 to +150					°C
Storage Temperature Range	T_{STG}	-55 to +150					°C

AB12S~AB110S

RATING AND CHARACTERISTIC CURVES

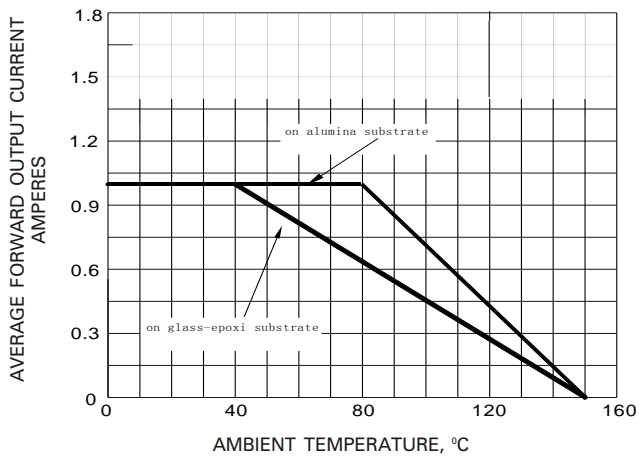


Fig. 1 - Forward Current Derating Curve

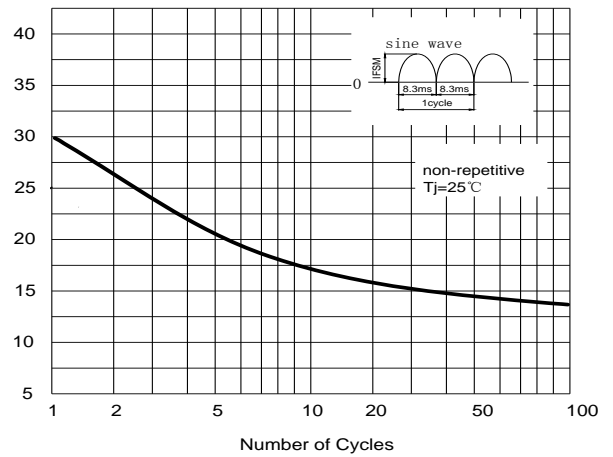


FIG2: Surge Forward Current Capacity

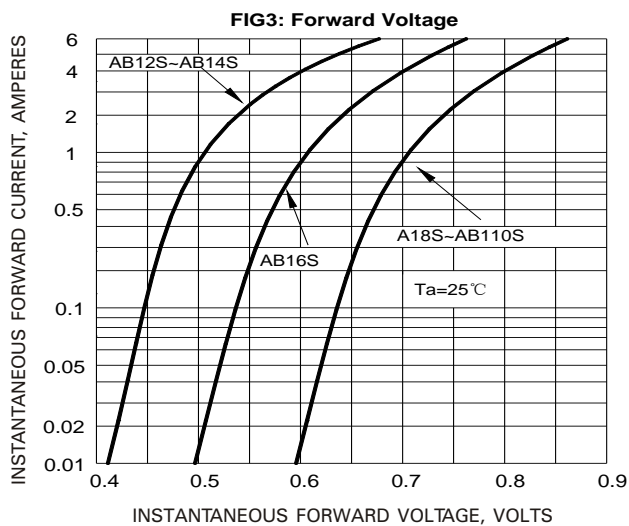


Fig. 3 Typical Forward Characteristics

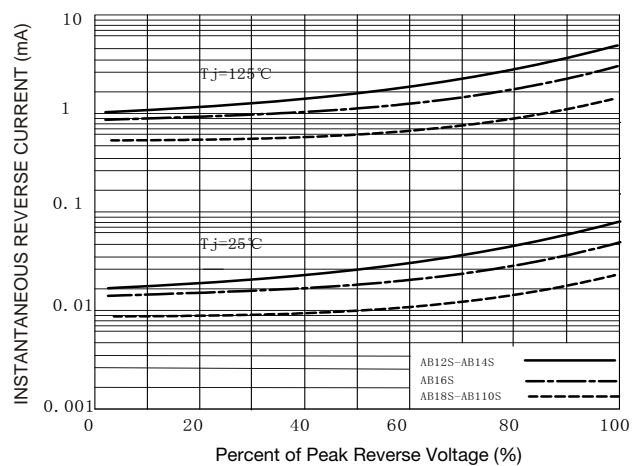


FIG4: Typical Reverse Characteristics

AB12S~AB110S

ORDER INFORMATION

- Packing information

Part Number	Case	DELIVERY MODE	QUANTITY
AB12S~AB110S	ABS	13 Inch	5000/Reel