

BZM55-C2V4~BZM55-C75

SURFACE MOUNT ZENER DIODES

VOLTAGE 2.4 to 75 Volts **POWER** 500 mWatts

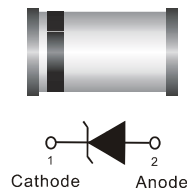
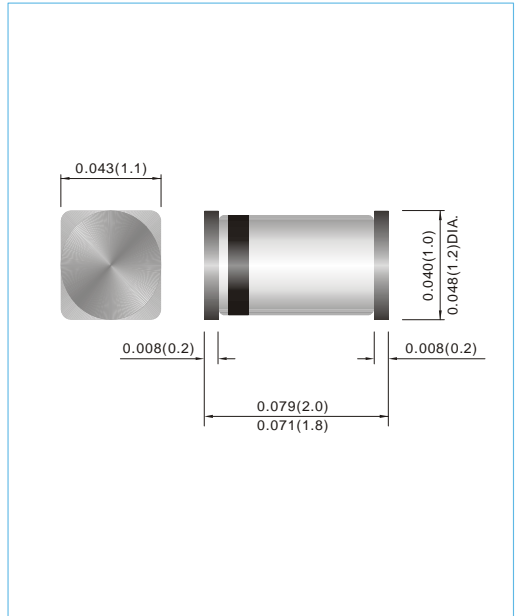
MICRO-MELF Unit : inch(mm)

FEATURES

- Planar Die construction
- 500mW Power Dissipation
- Ideally Suited for Automated Assembly Processes
- Lead free in comply with EU RoHS 2011/65/EU directives

MECHANICAL DATA

- Case: Molded Glass MICRO-MELF
- Terminals: Solderable per MIL-STD-750, Method 2026
- Polarity: See Diagram Below
- Mounting Position: Any



MAXIMUM RATINGS AND ELECTRICAL CHARACTERISTICS (TA=25°C unless otherwise noted)

| Parameter | Symbol | Value | Units |
|-------------------------------|--------|-------------|-------|
| Power Dissipation at TA= 25°C | PTOT | 500 | mW |
| Junction Temperature | TJ | 175 | °C |
| Storage Temperature Range | Ts | -65 to +175 | °C |

Valid provided that leads at a distance of 8mm from case are kept at ambient temperature.

| Parameter | Symbol | Min. | Typ. | Max. | Units |
|--|-----------------|------|------|------|-------|
| Thermal Resistance Junction to Ambient Air | R _{JA} | -- | -- | 0.3 | °C/mW |
| Forward Voltage at I _F = 200mA | V _F | -- | -- | 1.5 | V |

Valid provided that leads at a distance of 8mm from case are kept at ambient temperature.

BZM55-C2V4~BZM55-C75

| Part Number | Nominal Zener Voltage | | | Max. Zener Impedance | | | | Max. Reverse Leakage Current | |
|-------------|----------------------------------|--------|--------|-----------------------------------|-----|-----------------------------------|-----|---------------------------------|-----|
| | V _Z @ I _{ZT} | | | Z _{ZT} @ I _{ZT} | | Z _{ZK} @ I _{ZK} | | I _R @ V _R | |
| | Nom. V | Min. V | Max. V | Ω | mA | Ω | mA | μA | V |
| BZM55-C2V4 | 2.4 | 2.28 | 2.56 | 85 | 5 | 600 | 1 | 50 | 1 |
| BZM55-C2V7 | 2.7 | 2.5 | 2.9 | 85 | 5 | 600 | 1 | 10 | 1 |
| BZM55-C3V0 | 3 | 2.8 | 3.2 | 85 | 5 | 600 | 1 | 4 | 1 |
| BZM55-C3V3 | 3.3 | 3.1 | 3.5 | 85 | 5 | 600 | 1 | 2 | 1 |
| BZM55-C3V6 | 3.6 | 3.4 | 3.8 | 85 | 5 | 600 | 1 | 2 | 1 |
| BZM55-C3V9 | 3.9 | 3.7 | 4.1 | 85 | 5 | 600 | 1 | 2 | 1 |
| BZM55-C4V3 | 4.3 | 4 | 4.6 | 75 | 5 | 600 | 1 | 1 | 1 |
| BZM55-C4V7 | 4.7 | 4.4 | 5 | 60 | 5 | 600 | 1 | 0.5 | 1 |
| BZM55-C5V1 | 5.1 | 4.8 | 5.4 | 35 | 5 | 550 | 1 | 0.1 | 1 |
| BZM55-C5V6 | 5.6 | 5.2 | 6 | 25 | 5 | 450 | 1 | 0.1 | 1 |
| BZM55-C6V2 | 6.2 | 5.8 | 6.6 | 10 | 5 | 200 | 1 | 0.1 | 2 |
| BZM55-C6V8 | 6.8 | 6.4 | 7.2 | 8 | 5 | 150 | 1 | 0.1 | 3 |
| BZM55-C7V5 | 7.5 | 7 | 7.9 | 7 | 5 | 50 | 1 | 0.1 | 5 |
| BZM55-C8V2 | 8.2 | 7.7 | 8.7 | 7 | 5 | 50 | 1 | 0.1 | 6 |
| BZM55-C9V1 | 9.1 | 8.5 | 9.6 | 10 | 5 | 50 | 1 | 0.1 | 7 |
| BZM55-C10 | 10 | 9.4 | 10.6 | 15 | 5 | 70 | 1 | 0.1 | 7.5 |
| BZM55-C11 | 11 | 10.4 | 11.6 | 20 | 5 | 70 | 1 | 0.1 | 8.5 |
| BZM55-C12 | 12 | 11.4 | 12.7 | 20 | 5 | 90 | 1 | 0.1 | 9 |
| BZM55-C13 | 13 | 12.4 | 14.1 | 26 | 5 | 110 | 1 | 0.1 | 10 |
| BZM55-C15 | 15 | 13.8 | 15.6 | 30 | 5 | 110 | 1 | 0.1 | 11 |
| BZM55-C16 | 16 | 15.3 | 17.1 | 40 | 5 | 170 | 1 | 0.1 | 12 |
| BZM55-C18 | 18 | 16.8 | 19.1 | 50 | 5 | 170 | 1 | 0.1 | 14 |
| BZM55-C20 | 20 | 18.8 | 21.2 | 55 | 5 | 220 | 1 | 0.1 | 15 |
| BZM55-C22 | 22 | 20.8 | 23.3 | 55 | 5 | 220 | 1 | 0.1 | 17 |
| BZM55-C24 | 24 | 22.8 | 25.6 | 80 | 5 | 220 | 1 | 0.1 | 18 |
| BZM55-C27 | 27 | 25.1 | 28.9 | 80 | 5 | 220 | 1 | 0.1 | 20 |
| BZM55-C30 | 30 | 28 | 32 | 80 | 5 | 220 | 1 | 0.1 | 22 |
| BZM55-C33 | 33 | 31 | 35 | 80 | 5 | 220 | 1 | 0.1 | 24 |
| BZM55-C36 | 36 | 34 | 38 | 80 | 5 | 220 | 1 | 0.1 | 27 |
| BZM55-C39 | 39 | 37 | 41 | 90 | 2.5 | 500 | 0.5 | 0.1 | 30 |
| BZM55-C43 | 43 | 40 | 46 | 90 | 2.5 | 600 | 0.5 | 0.1 | 33 |
| BZM55-C47 | 47 | 44 | 50 | 110 | 2.5 | 700 | 0.5 | 0.1 | 36 |
| BZM55-C51 | 51 | 48 | 54 | 125 | 2.5 | 700 | 0.5 | 0.1 | 39 |
| BZM55-C56 | 56 | 52 | 60 | 135 | 2.5 | 1000 | 0.5 | 0.1 | 43 |
| BZM55-C62 | 62 | 58 | 66 | 150 | 2.5 | 1000 | 0.5 | 0.1 | 47 |
| BZM55-C68 | 68 | 64 | 72 | 200 | 2.5 | 1000 | 0.5 | 0.1 | 51 |
| BZM55-C75 | 75 | 70 | 79 | 250 | 2.5 | 1500 | 0.5 | 0.1 | 56 |

Notes.

STANDARD VOLTAGE TOLERANCE IS + 5% AND :

SUFFIX " A " FOR + 1%

SUFFIX " B " FOR + 2%

SUFFIX " C " FOR + 5%

SUFFIX " D " FOR + 20%

BZM55-C2V4~BZM55-C75

RATING AND CHARACTERISTIC CURVES

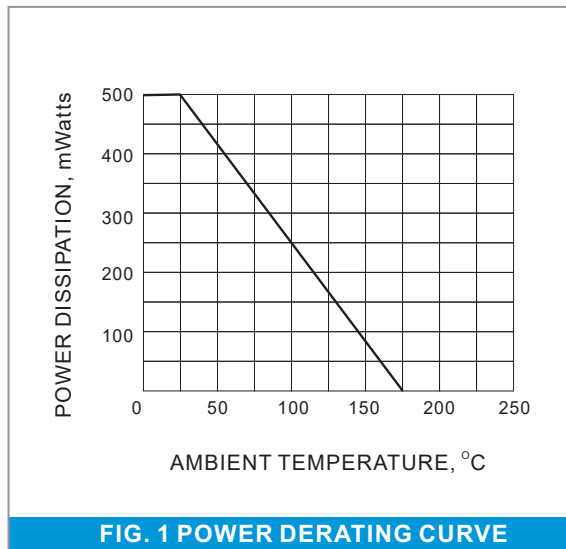


FIG. 1 POWER DERATING CURVE

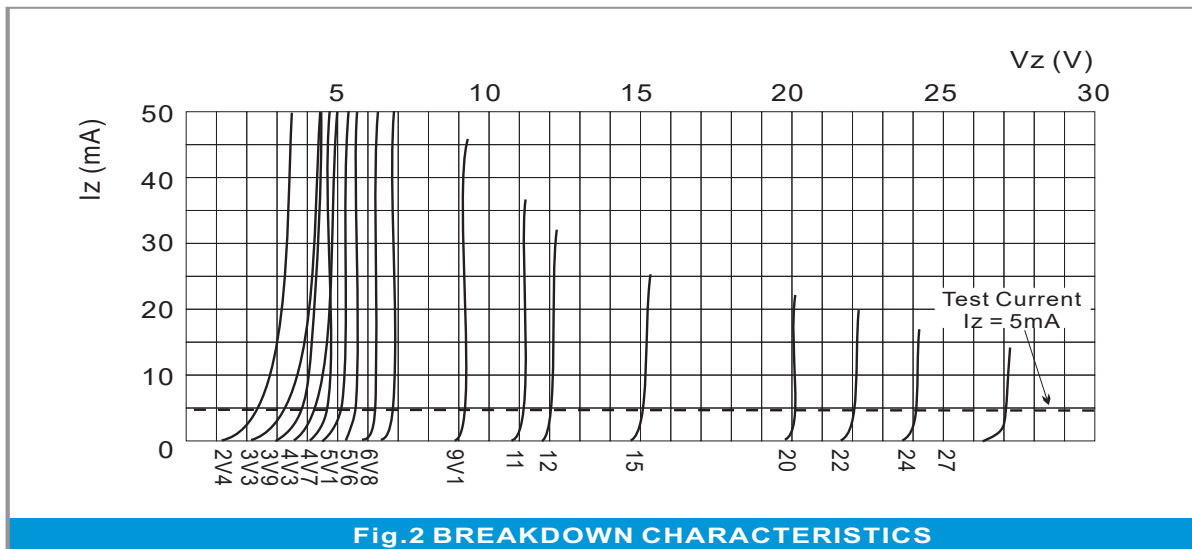


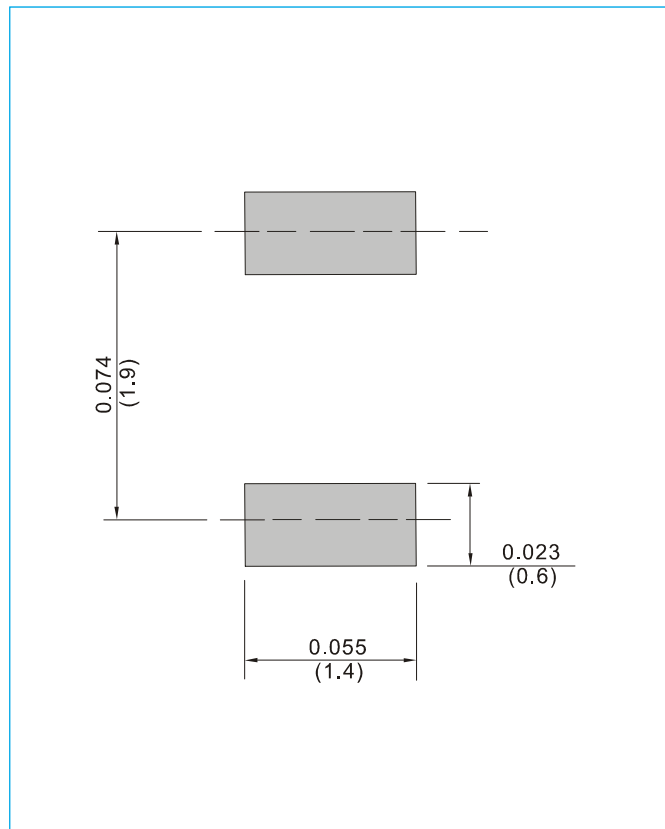
Fig.2 BREAKDOWN CHARACTERISTICS

BZM55-C2V4~BZM55-C75

MOUNTING PAD LAYOUT

MICRO-MELF

Unit : inch(mm)



ORDER INFORMATION

- Packing information
T/R - 10K per 13" plastic Reel
T/R - 3K per 7" plastic Reel

BZM55-C2V4~BZM55-C75

Part No_packing code_Version

BZM55-C2V4_R1_10001

BZM55-C2V4_R2_10001

For example :

RB500V-40_R2_00001



| Packing Code XX | | | | Version Code XXXXX | | |
|--------------------------------------|----------------------|----------------------------------|----------------------|--------------------|----------------------|---------------------------------------|
| Packing type | 1 st Code | Packing size code | 2 nd Code | HF or RoHS | 1 st Code | 2 nd ~5 th Code |
| Tape and Ammunition Box (T/B) | A | N/A | 0 | HF | 0 | serial number |
| Tape and Reel (T/R) | R | 7" | 1 | RoHS | 1 | serial number |
| Bulk Packing (B/P) | B | 13" | 2 | | | |
| Tube Packing (T/P) | T | 26mm | X | | | |
| Tape and Reel (Right Oriented) (TRR) | S | 52mm | Y | | | |
| Tape and Reel (Left Oriented) (TRL) | L | PANASERT T/B CATHODE UP (PBCU) | U | | | |
| FORMING | F | PANASERT T/B CATHODE DOWN (PBCD) | D | | | |

BZM55-C2V4~BZM55-C75

Disclaimer

- Reproducing and modifying information of the document is prohibited without permission from Siyang Grande Electronics Co., Ltd..
- Siyang Grande Electronics Co., Ltd. reserves the rights to make changes of the content herein the document anytime without notification. Please refer to our website for the latest document.
- Siyang Grande Electronics Co., Ltd. disclaims any and all liability arising out of the application or use of any product including damages incidentally and consequentially occurred.
- Siyang Grande Electronics Co., Ltd. does not assume any and all implied warranties, including warranties of fitness for particular purpose, non-infringement and merchantability.
- Applications shown on the herein document are examples of standard use and operation. Customers are responsible in comprehending the suitable use in particular applications. Siyang Grande Electronics Co., Ltd. makes no representation or warranty that such applications will be suitable for the specified use without further testing or modification.
- The products shown herein are not designed and authorized for equipments requiring high level of reliability or relating to human life and for any applications concerning life-saving or life-sustaining, such as medical instruments, transportation equipment, aerospace machinery et cetera. Customers using or selling these products for use in such applications do so at their own risk and agree to fully indemnify Siyang Grande Electronics Co., Ltd. for any damages resulting from such improper use or sale.
- Since Grande uses lot number as the tracking base, please provide the lot number for tracking when complaining.