

RD2.0E~RD68E

AXIAL LEAD ZENER DIODES

VOLTAGE 2.0 to 68 Volt **POWER** 500 mWatt

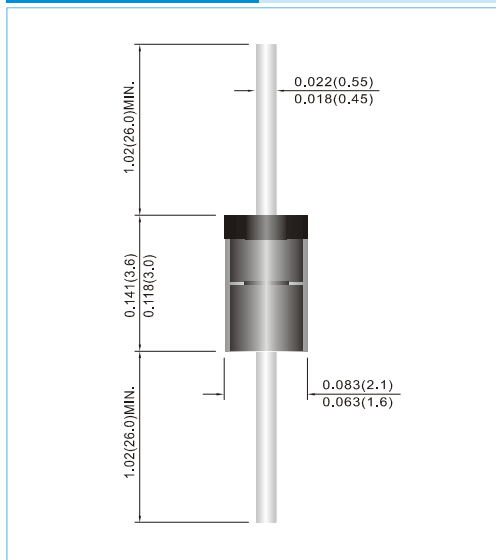
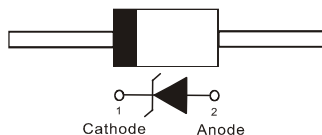
DO-35 Unit : inch(mm)

FEATURES

- Planar Die construction
- 500mW Power Dissipation
- Ideally Suited for Automated Assembly Processes
- Lead free in compliance with EU RoHS 2011/65/EU directives

MECHANICAL DATA

- Case: Molded glass DO-35
- Terminals: Solderable per MIL-STD-750, Method 2026
- Marking: Part Number



MAXIMUM RATINGS AND ELECTRICAL CHARACTERISTICS (T_A=25°C unless otherwise noted)

Parameter	Symbol	Value	Units
Power Dissipation on T _A =25°C	P _{TOT}	500	mW
Operating Junction Temperature Range	T _J	175	°C
Storage Temperature Range	T _{STG}	-65 to + 175	°C
Valid provided that leads at a distance of 10mm from case are kept at ambient perature.			

Parameter	Symbol	Min.	Typ.	Max.	Units
Thermal Resistance	R _{θJA}	-	-	0.3	°C/mW
Forward Voltage at I _F =100mA	V _F	-	-	1	V
Valid provided that leads at a distance of 10mm from case are kept at ambient perature.					

RD2.0E~RD68E

ELECTRICAL CHARACTERISTICS Ratings at 25°C ambient temperature unless otherwise specified.

Part Number	IZ (mA)	VZ(V)		IzT (mA)	ZzT (Ω)	IzK (mA)	ZzK (Ω)	VR (V)	IR(μA)
		Min	Max		(Max)		(Max)		
RD2.0E	20	1.88	2.20	20	140	1	2000	0.5	120
RD2.0E B1	20	1.88	2.10	20	140	1	2000	0.5	120
RD2.0E B2	20	2.02	2.20	20	140	1	2000	0.5	120
RD2.2E	20	2.12	2.41	20	120	1	2000	0.7	120
RD2.2E B1	20	2.12	2.30	20	120	1	2000	0.7	120
RD2.2E B2	20	2.22	2.41	20	120	1	2000	0.7	120
RD2.4E	20	2.33	2.63	20	100	1	2000	1	120
RD2.4E B1	20	2.33	2.52	20	100	1	2000	1	120
RD2.4E B2	20	2.43	2.63	20	100	1	2000	1	120
RD2.7E	20	2.54	2.91	20	100	1	1000	1	100
RD2.7E B1	20	2.54	2.75	20	100	1	1000	1	100
RD2.7E B2	20	2.69	2.91	20	100	1	1000	1	100
RD3.0E	20	2.85	3.22	20	80	1	1000	1	50
RD3.0E B1	20	2.85	3.07	20	80	1	1000	1	50
RD3.0E B2	20	3.01	3.22	20	80	1	1000	1	50
RD3.3E	20	3.16	3.53	20	70	1	1000	1	20
RD3.3E B1	20	3.16	3.38	20	70	1	1000	1	20
RD3.3E B2	20	3.32	3.53	20	70	1	1000	1	20
RD3.6E	20	3.47	3.83	20	60	1	1000	1	10
RD3.6E B1	20	3.47	3.68	20	60	1	1000	1	10
RD3.6E B2	20	3.62	3.83	20	60	1	1000	1	10
RD3.9E	20	3.77	4.14	20	50	1	1000	1	5
RD3.9E B1	20	3.77	3.98	20	50	1	1000	1	5
RD3.9E B2	20	3.92	4.14	20	50	1	1000	1	5
RD4.3E	20	4.05	4.53	20	40	1	1000	1	5
RD4.3E B1	20	4.05	4.26	20	40	1	1000	1	5
RD4.3E B2	20	4.20	4.40	20	40	1	1000	1	5
RD4.3E B3	20	4.34	4.53	20	40	1	1000	1	5
RD4.7E	20	4.47	4.91	20	25	1	900	1	5
RD4.7E B1	20	4.47	4.65	20	25	1	900	1	5
RD4.7E B2	20	4.59	4.77	20	25	1	900	1	5
RD4.7E B3	20	4.71	4.91	20	25	1	900	1	5
RD5.1E	20	4.85	5.35	20	20	1	800	1.5	5
RD5.1E B1	20	4.85	5.03	20	20	1	800	1.5	5
RD5.1E B2	20	4.97	5.18	20	20	1	800	1.5	5
RD5.1E B3	20	5.12	5.35	20	20	1	800	1.5	5
RD5.6E	20	5.29	5.88	20	13	1	500	2.5	5
RD5.6E B1	20	5.29	5.52	20	13	1	500	2.5	5
RD5.6E B2	20	5.46	5.70	20	13	1	500	2.5	5
RD5.6E B3	20	5.64	5.88	20	13	1	500	2.5	5
RD6.2E	20	5.81	6.40	20	10	1	300	3	5
RD6.2E B1	20	5.81	6.06	20	10	1	300	3	5
RD6.2E B2	20	5.99	6.24	20	10	1	300	3	5
RD6.2E B3	20	6.16	6.40	20	10	1	300	3	5

**RD2.0E~RD68E**

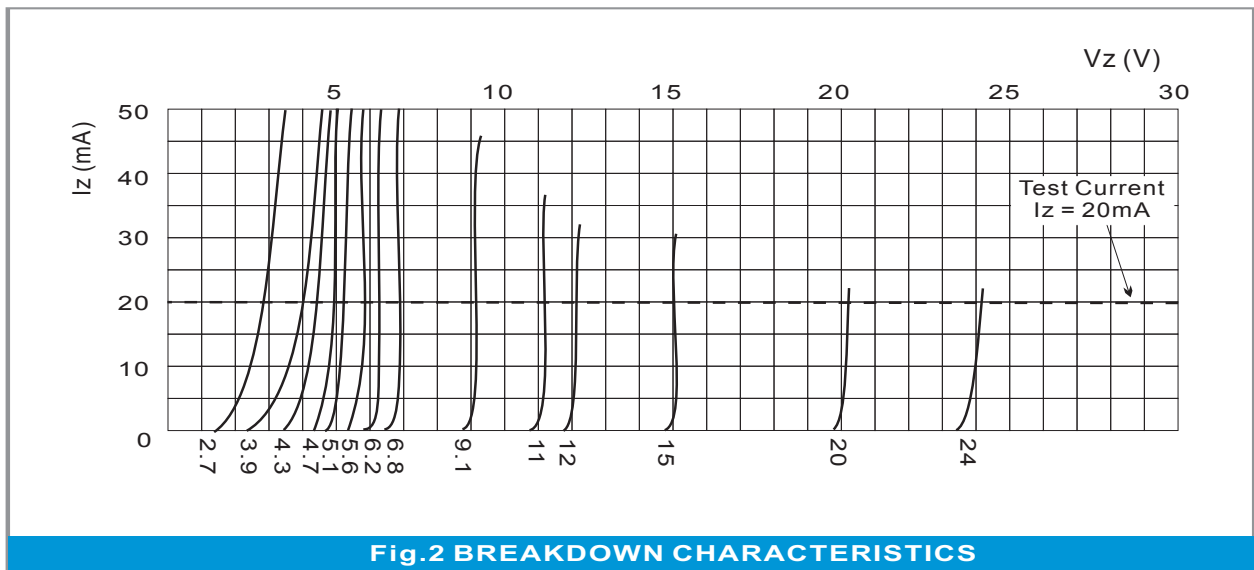
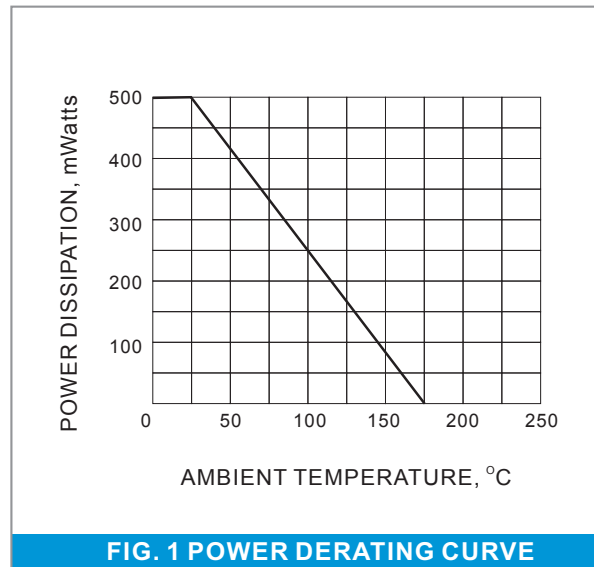
Part Number	IZ(mA)	VZ(V)		IzT (mA)	ZzT (Ω) (Max)	IzK (mA)	ZzK (Ω) (Max)	VR (V)	IR(μA)
		Min	Max						
RD6.8E	20	6.32	6.97	20	8	0.5	150	3.5	2
RD6.8E B1	20	6.32	6.59	20	8	0.5	150	3.5	2
RD6.8E B2	20	6.52	6.79	20	8	0.5	150	3.5	2
RD6.8E B3	20	6.70	6.97	20	8	0.5	150	3.5	2
RD7.5E	20	6.88	7.64	20	8	0.5	120	4	0.5
RD7.5E B1	20	6.88	7.19	20	8	0.5	120	4	0.5
RD7.5E B2	20	7.11	7.41	20	8	0.5	120	4	0.5
RD7.5E B3	20	7.33	7.64	20	8	0.5	120	4	0.5
RD8.2E	20	7.56	8.41	20	8	0.5	120	5	0.5
RD8.2E B1	20	7.56	7.90	20	8	0.5	120	5	0.5
RD8.2E B2	20	7.82	8.15	20	8	0.5	120	5	0.5
RD8.2E B3	20	8.07	8.41	20	8	0.5	120	5	0.5
RD9.1E	20	8.33	9.29	20	8	0.5	120	6	0.5
RD9.1E B1	20	8.33	8.70	20	8	0.5	120	6	0.5
RD9.1E B2	20	8.61	8.99	20	8	0.5	120	6	0.5
RD9.1E B3	20	8.89	9.29	20	8	0.5	120	6	0.5
RD10E	20	9.19	10.30	20	8	0.5	120	7	0.2
RD10E B1	20	9.19	9.59	20	8	0.5	120	7	0.2
RD10E B2	20	9.48	9.90	20	8	0.5	120	7	0.2
RD10E B3	20	9.82	10.30	20	8	0.5	120	7	0.2
RD11E	10	10.18	11.26	10	10	0.5	120	8	0.2
RD11E B1	10	10.18	10.60	10	10	0.5	120	8	0.2
RD11E B2	10	10.50	10.94	10	10	0.5	120	8	0.2
RD11E B3	10	10.82	11.26	10	10	0.5	120	8	0.2
RD12E	10	11.13	12.30	10	12	0.5	110	9	0.2
RD12E B1	10	11.13	11.63	10	12	0.5	110	9	0.2
RD12E B2	10	11.50	11.92	10	12	0.5	110	9	0.2
RD12E B3	10	11.80	12.30	10	12	0.5	110	9	0.2
RD13E	10	12.18	13.62	10	14	0.5	110	10	0.2
RD13E B1	10	12.18	12.71	10	14	0.5	110	10	0.2
RD13E B2	10	12.59	13.16	10	14	0.5	110	10	0.2
RD13E B3	10	13.03	13.62	10	14	0.5	110	10	0.2
RD15E	10	13.48	15.02	10	16	0.5	110	11	0.2
RD15E B1	10	13.48	14.09	10	16	0.5	110	11	0.2
RD15E B2	10	13.95	14.56	10	16	0.5	110	11	0.2
RD15E B3	10	14.42	15.02	10	16	0.5	110	11	0.2
RD16E	10	14.87	16.50	10	18	0.5	150	12	0.2
RD16E B1	10	14.87	15.50	10	18	0.5	150	12	0.2
RD16E B2	10	15.33	15.96	10	18	0.5	150	12	0.2
RD16E B3	10	15.79	16.50	10	18	0.5	150	12	0.2
RD18E	10	16.34	18.30	10	23	0.5	150	13	0.2
RD18E B1	10	16.34	17.06	10	23	0.5	150	13	0.2
RD18E B2	10	16.90	17.67	10	23	0.5	150	13	0.2
RD18E B3	10	17.51	18.30	10	23	0.5	150	13	0.2
RD20E	10	18.11	20.72	10	28	0.5	200	15	0.2
RD20E B1	10	18.11	18.92	10	28	0.5	200	15	0.2
RD20E B2	10	18.73	19.57	10	28	0.5	200	15	0.2
RD20E B3	10	19.38	20.22	10	28	0.5	200	15	0.2
RD20E B4	10	19.88	20.72	10	28	0.5	200	15	0.2

RD2.0E~RD68E

Part Number	IZ (mA)	VZ (V)		IzT (mA)	ZzT (Ω) (Max)	IzK (mA)	ZzK (Ω) (Max)	VR (V)	IR (μA)
		Min	Max						
RD22E	5	20.23	22.61	5	30	0.5	200	17	0.2
RD22E B1	5	20.23	21.08	5	30	0.5	200	17	0.2
RD22E B2	5	20.76	21.65	5	30	0.5	200	17	0.2
RD22E B3	5	21.22	22.09	5	30	0.5	200	17	0.2
RD22E B4	5	21.68	22.61	5	30	0.5	200	17	0.2
RD24E	5	22.26	24.81	5	35	0.5	200	19	0.2
RD24E B1	5	22.26	23.13	5	35	0.5	200	19	0.2
RD24E B2	5	22.75	23.73	5	35	0.5	200	19	0.2
RD24E B3	5	23.29	24.27	5	35	0.5	200	19	0.2
RD24E B4	5	23.81	24.81	5	35	0.5	200	19	0.2
RD27E	5	24.26	27.64	5	45	0.5	250	21	0.2
RD27E B1	5	24.26	25.52	5	45	0.5	250	21	0.2
RD27E B2	5	24.97	26.26	5	45	0.5	250	21	0.2
RD27E B3	5	25.63	26.95	5	45	0.5	250	21	0.2
RD27E B4	5	26.29	27.64	5	45	0.5	250	21	0.2
RD30E	5	26.99	30.51	5	55	0.5	250	23	0.2
RD30E B1	5	26.99	28.39	5	55	0.5	250	23	0.2
RD30E B2	5	27.70	29.13	5	55	0.5	250	23	0.2
RD30E B3	5	28.36	29.82	5	55	0.5	250	23	0.2
RD30E B4	5	29.02	30.51	5	55	0.5	250	23	0.2
RD33E	5	29.68	33.11	5	65	0.5	250	25	0.2
RD33E B1	5	29.68	31.22	5	65	0.5	250	25	0.2
RD33E B2	5	30.32	31.88	5	65	0.5	250	25	0.2
RD33E B3	5	30.90	32.50	5	65	0.5	250	25	0.2
RD33E B4	5	31.49	33.11	5	65	0.5	250	25	0.2
RD36E	5	32.14	35.77	5	75	0.5	250	27	0.2
RD36E B1	5	32.14	33.79	5	75	0.5	250	27	0.2
RD36E B2	5	32.79	34.49	5	75	0.5	250	27	0.2
RD36E B3	5	33.40	35.13	5	75	0.5	250	27	0.2
RD36E B4	5	34.01	35.77	5	75	0.5	250	27	0.2
RD39E	5	34.68	40.80	5	85	0.5	250	30	0.2
RD39E B1	5	34.68	36.47	5	85	0.5	250	30	0.2
RD39E B2	5	35.36	37.19	5	85	0.5	250	30	0.2
RD39E B3	5	36.00	37.85	5	85	0.5	250	30	0.2
RD39E B4	5	36.63	38.52	5	85	0.5	250	30	0.2
RD39E B5	5	37.88	39.29	5	85	0.5	250	30	0.2
RD39E B6	5	38.14	40.11	5	85	0.5	250	30	0.2
RD39E B7	5	38.94	40.80	5	85	0.5	250	30	0.2
RD43E	5	40	45	5	90	*	*	33	0.2
RD47E	5	44	49	5	90	*	*	36	0.2
RD51E	5	48	54	5	110	*	*	39	0.2
RD56E	5	53	60	5	110	*	*	43	0.2
RD62E	2	58	66	2	200	*	*	47	0.2
RD68E	2	64	72	2	200	*	*	52	0.2

RD2.0E~RD68E

RATING AND CHARACTERISTIC CURVES



RD2.0E~RD68E

Part No_packing code_Version

RD2.0EB1_AX_10001

RD2.0EB1_AY_10001

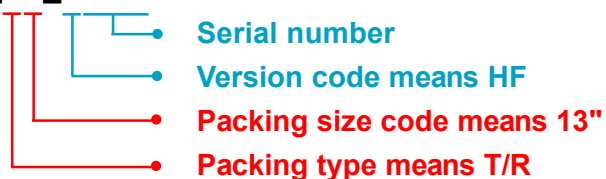
RD2.0EB1_B0_10001

RD2.0EB1_R2_10001

For example :

RB500V-40_R2_00001

Part No.



Packing Code XX				Version Code XXXXX		
Packing type	1 st Code	Packing size code	2 nd Code	HF or RoHS	1 st Code	2 nd ~5 th Code
Tape and Ammunition Box (T/B)	A	N/A	0	HF	0	serial number
Tape and Reel (T/R)	R	7"	1	RoHS	1	serial number
Bulk Packing (B/P)	B	13"	2			
Tube Packing (T/P)	T	26mm	X			
Tape and Reel (Right Oriented) (TRR)	S	52mm	Y			
Tape and Reel (Left Oriented) (TRL)	L	PANASERT T/B CATHODE UP (PBCU)	U			
FORMING	F	PANASERT T/B CATHODE DOWN (PBCD)	D			

Disclaimer

- Reproducing and modifying information of the document is prohibited without permission from Siyang Grande Electronics Co., Ltd..
- Siyang Grande Electronics Co., Ltd. reserves the rights to make changes of the content herein the document anytime without notification. Please refer to our website for the latest document.
- Siyang Grande Electronics Co., Ltd. disclaims any and all liability arising out of the application or use of any product including damages incidentally and consequentially occurred.
- Siyang Grande Electronics Co., Ltd. does not assume any and all implied warranties, including warranties of fitness for particular purpose, non-infringement and merchantability.
- Applications shown on the herein document are examples of standard use and operation. Customers are responsible in comprehending the suitable use in particular applications. Siyang Grande Electronics Co., Ltd. makes no representation or warranty that such applications will be suitable for the specified use without further testing or modification.
- The products shown herein are not designed and authorized for equipments requiring high level of reliability or relating to human life and for any applications concerning life-saving or life-sustaining, such as medical instruments, transportation equipment, aerospace machinery et cetera. Customers using or selling these products for use in such applications do so at their own risk and agree to fully indemnify Siyang Grande Electronics Co., Ltd. for any damages resulting from such improper use or sale.
- Since Grande uses lot number as the tracking base, please provide the lot number for tracking when complaining.