

1N4678~1N4717

AXIAL LEAD ZENER DIODES

VOLTAGE 1.8 to 43 Volt **POWER** 500mWatt

DO-35 Unit : inch(mm)

FEATURES

- Planar Die construction
- 500mW Power Dissipation
- Ideally Suited for Automated Assembly Processes
- Lead free in compliance with EU RoHS 2011/65/EU directive

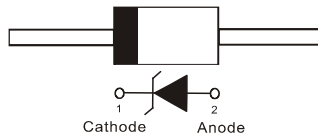
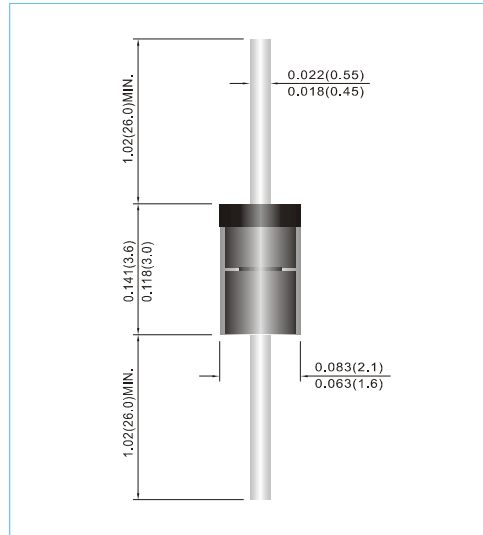
MECHANICAL DATA

- Case: Molded Glass DO-35
- Terminals: Solderable per MIL-STD-750, Method 2026
- Packing information

B/P - 2K per Bulk box

T/R - 10K per 15" Reel

T/B - 5K per horiz. tape & Ammo box



MAXIMUM RATINGS AND ELECTRICAL CHARACTERISTICS (T_A=25°C unless otherwise noted)

Rating	Symbol	Value	Units
Power Dissipation at T _A = 25 °C	P _{TOT}	500	mW
Maximum Forward Voltage at I _F =100mA	V _F	1	V
Maximum Thermal Resistance Junction to Ambient Air (Notes 1)	R _{θJA}	300	°C / W
Operating Junction Temperature Range	T _J	-55 to +175	°C
Storage Temperature Range	T _{STG}	-55 to +175	°C

NOTES :

1. Valid provided that leads at a distance of 10mm from case are kept at ambient temperature.

1N4678~1N4717

Part Number	Nominal Zener Voltage			Max. Zener Impedance		Max. Reverse Leakage Current		Marking Code
	V _Z @ I _{ZT}			Z _{zT} @ I _{ZT}		I _R @ V _R		
	Nom.V	Min.V	Max.V	Ω	mA	μA	V	
1N4678	1.8	1.710	1.890	-	0.05	7.50	1.0	1N4678
1N4679	2.0	1.900	2.100	-	0.05	5.00	1.0	1N4679
1N4680	2.2	2.090	2.310	-	0.05	4.00	1.0	1N4680
1N4681	2.4	2.280	2.520	-	0.05	2.00	1.0	1N4681
1N4682	2.7	2.565	2.835	-	0.05	1.00	1.0	1N4682
1N4683	3.0	2.850	3.150	-	0.05	0.80	1.0	1N4683
1N4684	3.3	3.135	3.465	-	0.05	7.50	1.5	1N4684
1N4685	3.6	3.420	3.780	-	0.05	7.50	2.0	1N4685
1N4686	3.9	3.705	4.095	-	0.05	5.00	2.0	1N4686
1N4687	4.3	4.085	4.515	-	0.05	4.00	2.0	1N4687
1N4688	4.7	4.465	4.935	-	0.05	10	3.0	1N4688
1N4689	5.1	4.845	5.355	-	0.05	10	3.0	1N4689
1N4690	5.6	5.320	5.880	-	0.05	10	4.0	1N4690
1N4691	6.2	5.890	6.510	-	0.05	10	5.0	1N4691
1N4692	6.8	6.460	7.140	-	0.05	10	5.1	1N4692
1N4693	7.5	7.125	7.875	-	0.05	10	5.7	1N4693
1N4694	8.2	7.790	8.610	-	0.05	1.0	6.2	1N4694
1N4695	8.7	8.265	9.135	-	0.05	1.0	6.6	1N4695
1N4696	9.1	8.645	9.555	-	0.05	1.0	6.9	1N4696
1N4697	10.0	9.500	10.50	-	0.05	1.0	7.6	1N4697
1N4698	11.0	10.45	11.55	-	0.05	0.05	8.4	1N4698
1N4699	12.0	11.40	12.60	-	0.05	0.05	9.1	1N4699
1N4700	13.0	12.35	13.65	-	0.05	0.05	9.8	1N4700
1N4701	14.0	13.30	14.70	-	0.05	0.05	10.6	1N4701
1N4702	15.0	14.25	15.75	-	0.05	0.05	11.4	1N4702
1N4703	16.0	15.20	16.80	-	0.05	0.05	12.1	1N4703
1N4704	17.0	16.15	17.85	-	0.05	0.05	12.9	1N4704
1N4705	18.0	17.10	18.90	-	0.05	0.05	13.6	1N4705
1N4706	19.0	18.05	19.95	-	0.05	0.05	14.4	1N4706
1N4707	20.0	19.00	21.00	-	0.05	0.01	15.2	1N4707
1N4708	22.0	20.90	23.10	-	0.05	0.01	16.7	1N4708
1N4709	24.0	22.80	25.20	-	0.05	0.01	18.2	1N4709
1N4710	25.0	23.75	26.25	-	0.05	0.01	19.0	1N4710
1N4711	27.0	25.65	28.35	-	0.05	0.01	20.4	1N4711
1N4712	28.0	26.60	29.40	-	0.05	0.01	21.2	1N4712
1N4713	30.0	28.50	31.50	-	0.05	0.01	22.8	1N4713
1N4714	33.0	31.35	34.65	-	0.05	0.01	25.0	1N4714
1N4715	36.0	34.20	37.80	-	0.05	0.01	27.3	1N4715
1N4716	39.0	37.05	40.95	-	0.05	0.01	29.6	1N4716
1N4717	43.0	40.85	45.15	-	0.05	0.01	32.6	1N4717

1N4678~1N4717

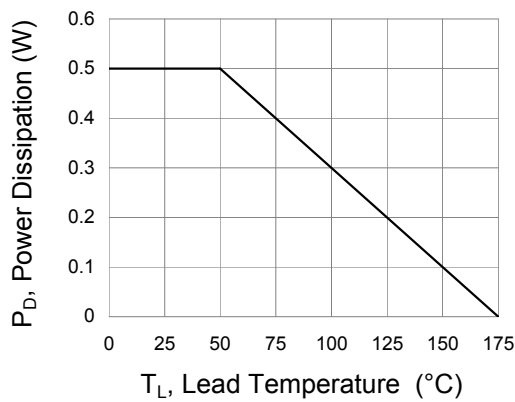


Fig.1 Power Derating Curve

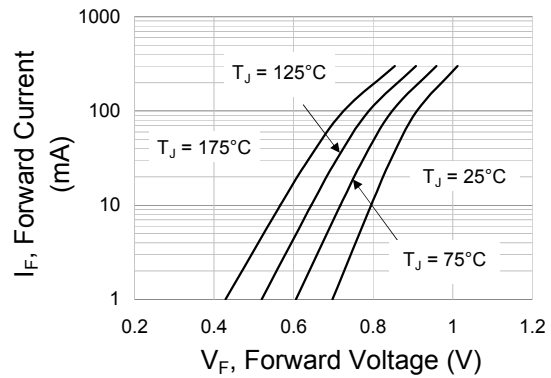


Fig.2 Typical Forward Characteristics

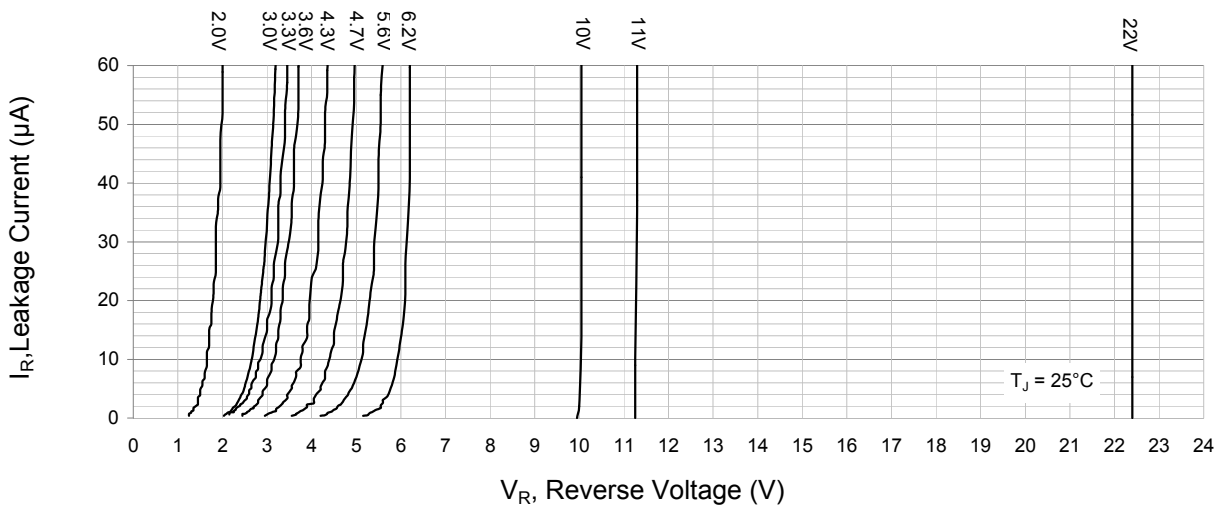


Fig.3 Typical Reverse Characteristics

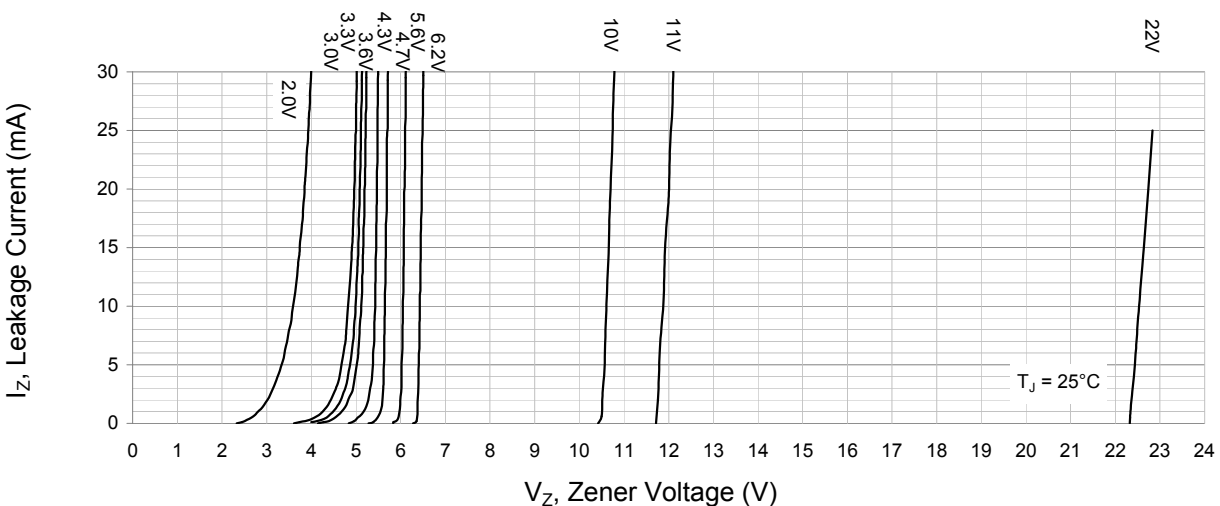


Fig.4 Typical Zener Characteristics

1N4678~1N4717

Part No_packing code_Version

1N4678_AX_10001
 1N4678_AY_10001
 1N4678_R2_10001
 1N4678_B0_10001

For example :

RB500V-40_R2_00001



Packing Code XX				Version Code XXXXX		
Packing type	1 st Code	Packing size code	2 nd Code	HF or RoHS	1 st Code	2 nd ~5 th Code
Tape and Ammunition Box (T/B)	A	N/A	0	HF	0	serial number
Tape and Reel (T/R)	R	7"	1	RoHS	1	serial number
Bulk Packing (B/P)	B	13"	2			
Tube Packing (T/P)	T	26mm	X			
Tape and Reel (Right Oriented) (TRR)	S	52mm	Y			
Tape and Reel (Left Oriented) (TRL)	L	PANASERT T/B CATHODE UP (PBCU)	U			
FORMING	F	PANASERT T/B CATHODE DOWN (PBCD)	D			

1N4678~1N4717

Disclaimer

- Reproducing and modifying information of the document is prohibited without permission from Siyang Grande Electronics Co., Ltd..
- Siyang Grande Electronics Co., Ltd. reserves the rights to make changes of the content herein the document anytime without notification. Please refer to our website for the latest document.
- Siyang Grande Electronics Co., Ltd. disclaims any and all liability arising out of the application or use of any product including damages incidentally and consequentially occurred.
- Siyang Grande Electronics Co., Ltd. does not assume any and all implied warranties, including warranties of fitness for particular purpose, non-infringement and merchantability.
- Applications shown on the herein document are examples of standard use and operation. Customers are responsible in comprehending the suitable use in particular applications. Siyang Grande Electronics Co., Ltd. makes no representation or warranty that such applications will be suitable for the specified use without further testing or modification.
- The products shown herein are not designed and authorized for equipments requiring high level of reliability or relating to human life and for any applications concerning life-saving or life-sustaining, such as medical instruments, transportation equipment, aerospace machinery et cetera. Customers using or selling these products for use in such applications do so at their own risk and agree to fully indemnify Siyang Grande Electronics Co., Ltd. for any damages resulting from such improper use or sale.
- Since Grande uses lot number as the tracking base, please provide the lot number for tracking when complaining.