

1N6485 ~1N6491;1N4460~1N4486

SILICON ZENER DIODE

VOLTAGE 3.3 to 75 Volts

POWER 1.5 Watts

DO-41G

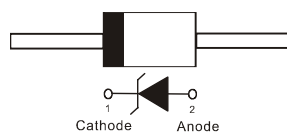
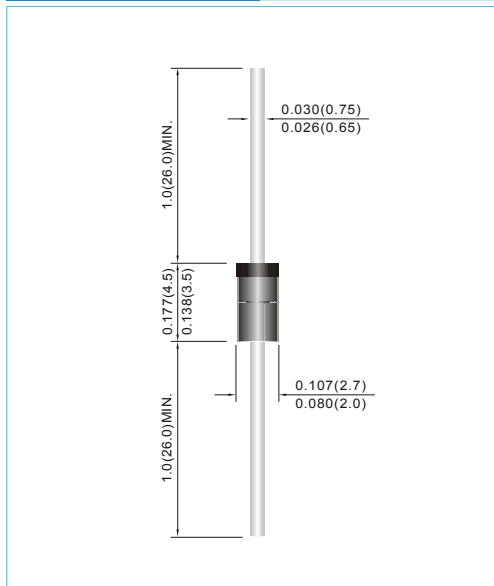
Unit : inch(mm)

FEATURES

- Low inductance
- High temperature soldering : 260°C /10 seconds at terminals
- Glass package has Underwriters Laboratory Flammability Classification
- Lead free in compliance with EU RoHS 2011/65/EU directive

MECHANICAL DATA

- Case: Molded Glass DO-41G
- Terminals: Axial leads, solderable per MIL-STD-750, Method 2026



MAXIMUM RATINGS AND ELECTRICAL CHARACTERISTICS

Ratings at 25°C ambient temperature unless otherwise specified.

Parameter	Symbol	Value	Units
Power Dissipation at $T_A = 25^\circ\text{C}$	P_{TOT}	1.5	W
Operating Junction Temperature Range	T_J	-65 to +200	°C
Storage Temperature Range	T_{STG}	-65 to +200	°C

*Valid provided that leads at a distance of 10mm from case are kept at ambient temperature.

Parameter	Symbol	Min.	Typ.	Max.	Units
Thermal Resistance Junction to Ambient Air	$R_{\theta JA}$	--	--	170*	°C/W
Forward Voltage at $I_F = 200\text{mA}$	V_F	--	--	1.2	V

*Valid provided that leads at a distance of 10mm from case are kept at ambient temperature.

Notes :

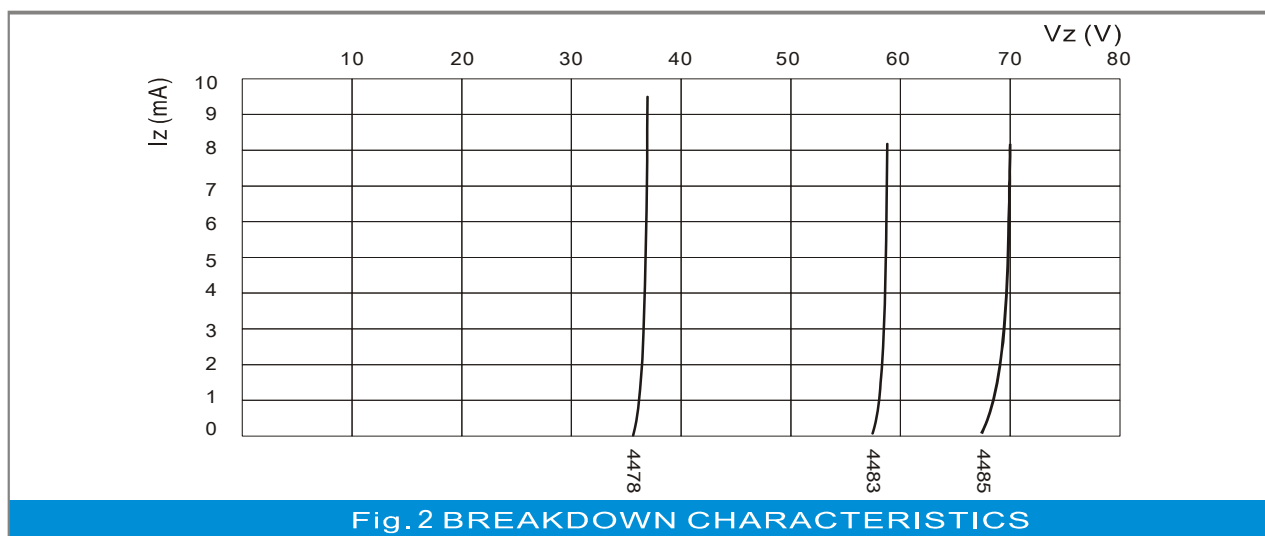
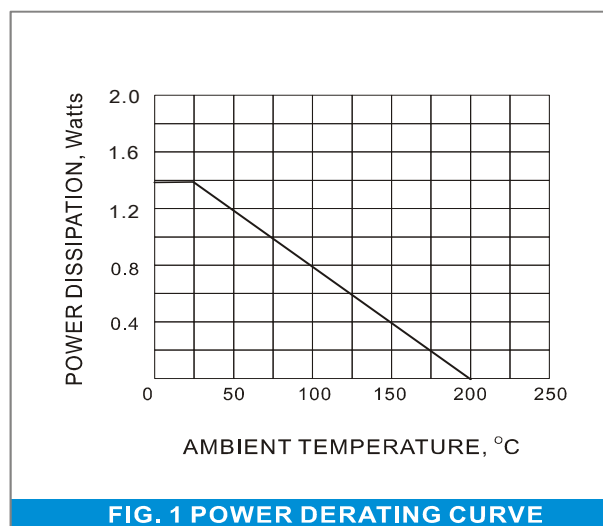
 STANDARD VOLTAGE TOLERANCE IS $\pm 5\%$

1N6485 ~1N6491;1N4460~1N4486

Part Number	Maximum Zener Voltage			Maximum Zener Impedance				Maximum Leakage Current	
	V _Z @ I _{ZT}			Z _{ZT} @ I _{ZT}		Z _{ZK} @ I _{ZK}		I _R @ V _R	
	Nom. V	Min. V	Max. V	Ω	mA	Ω	mA	μA	V
1.5 Watt Zener Diodes (Glass Sealed Envelope)									
1N6485	3.3	3.14	3.47	10	76	400	1	100	1
1N6486	3.6	3.42	3.78	10	69	400	1	100	1
1N6487	3.9	3.71	4.1	9	64	400	1	50	1
1N6488	4.3	4.09	4.52	9	58	400	1	10	1
1N6489	4.7	4.47	4.94	8	53	500	1	10	1
1N6490	5.1	4.85	5.36	7	49	550	1	10	1
1N6491	5.6	5.32	5.88	5	45	600	1	10	2
1N4460	6.2	5.89	6.51	2	41	700	1	10	3
1N4461	6.8	6.46	7.14	3.5	37	700	1	5	4
1N4462	7.5	7.13	7.88	4	34	700	0.5	5	5
1N4463	8.2	7.79	8.61	4.5	31	700	0.5	5	6
1N4464	9.1	8.65	9.56	5	28	700	0.5	0.5	7
1N4465	10	9.5	10.5	7	25	700	0.25	0.5	7.6
1N4466	11	10.45	11.55	8	23	700	0.25	0.1	8.4
1N4467	12	11.4	12.6	9	21	700	0.25	0.1	9.1
1N4468	13	12.35	13.65	10	19	700	0.25	0.1	9.9
1N4469	15	14.25	15.75	14	17	700	0.25	0.1	11.4
1N4470	16	15.2	16.8	16	15.5	700	0.25	0.1	12.2
1N4471	18	17.1	18.9	20	14	750	0.25	0.1	13.7
1N4472	20	19	21	22	12.5	750	0.25	0.1	15.2
1N4473	22	20.9	23.1	23	11.5	750	0.25	0.1	16.7
1N4474	24	22.8	25.2	25	10.5	750	0.25	0.1	18.2
1N4475	27	25.65	28.35	35	9.5	750	0.25	0.1	20.6
1N4476	30	28.5	31.5	40	8.5	1000	0.25	0.1	22.8
1N4477	33	31.35	34.65	45	7.5	1000	0.25	0.1	25.1
1N4478	36	34.2	37.8	50	7	1000	0.25	0.1	27.4
1N4479	39	37.05	40.95	60	6.5	1000	0.25	0.1	29.7
1N4480	43	40.85	45.15	70	6	1500	0.25	0.1	32.7
1N4481	47	44.65	49.35	80	5.5	1500	0.25	0.1	35.8
1N4482	51	48.45	53.55	95	5	1500	0.25	0.1	38.8
1N4483	56	53.2	58.8	110	4.5	2000	0.25	0.1	42.6
1N4484	62	58.9	65.1	125	4.0	2000	0.25	0.1	47.1
1N4485	68	64.6	71.4	150	3.7	2000	0.25	0.1	51.7
1N4486	75	71.25	78.75	175	3.3	2000	0.25	0.1	56

1N6485 ~1N6491;1N4460~1N4486

RATING AND CHARACTERISTIC CURVES



1N6485 ~1N6491;1N4460~1N4486

Part No_packing code_Version

1N4460_AX_10001

1N4460_AY_10001

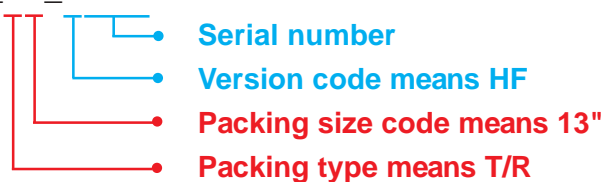
1N4460_B0_10001

1N4460_R2_10001

For example :

RB500V-40 **R2** **00001**

Part No.



Packing Code XX				Version Code XXXXX		
Packing type	1 st Code	Packing size code	2 nd Code	HF or RoHS	1 st Code	2 nd ~5 th Code
Tape and Ammunition Box (T/B)	A	N/A	0	HF	0	serial number
Tape and Reel (T/R)	R	7"	1	RoHS	1	serial number
Bulk Packing (B/P)	B	13"	2			
Tube Packing (T/P)	T	26mm	X			
Tape and Reel (Right Oriented) (TRR)	S	52mm	Y			
Tape and Reel (Left Oriented) (TRL)	L	PANASERT T/B CATHODE UP (PBCU)	U			
FORMING	F	PANASERT T/B CATHODE DOWN (PBCD)	D			

1N6485 ~1N6491;1N4460~1N4486

Disclaimer

- Reproducing and modifying information of the document is prohibited without permission from Siyang Grande Electronics Co., Ltd..
- Siyang Grande Electronics Co., Ltd. reserves the rights to make changes of the content herein the document anytime without notification. Please refer to our website for the latest document.
- Siyang Grande Electronics Co., Ltd. disclaims any and all liability arising out of the application or use of any product including damages incidentally and consequentially occurred.
- Siyang Grande Electronics Co., Ltd. does not assume any and all implied warranties, including warranties of fitness for particular purpose, non-infringement and merchantability.
- Applications shown on the herein document are examples of standard use and operation. Customers are responsible in comprehending the suitable use in particular applications. Siyang Grande Electronics Co., Ltd. makes no representation or warranty that such applications will be suitable for the specified use without further testing or modification.
- The products shown herein are not designed and authorized for equipments requiring high level of reliability or relating to human life and for any applications concerning life-saving or life-sustaining, such as medical instruments, transportation equipment, aerospace machinery et cetera. Customers using or selling these products for use in such applications do so at their own risk and agree to fully indemnify Siyang Grande Electronics Co., Ltd. for any damages resulting from such improper use or sale.
- Since Grande uses lot number as the tracking base, please provide the lot number for tracking when complaining.