

GQZJ2.0~GQZJ56

SURFACE MOUNT ZENER DIODES

VOLTAGE 2.0 to 56 Volts

POWER 500 mWatts

QUADRO-MELF

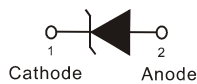
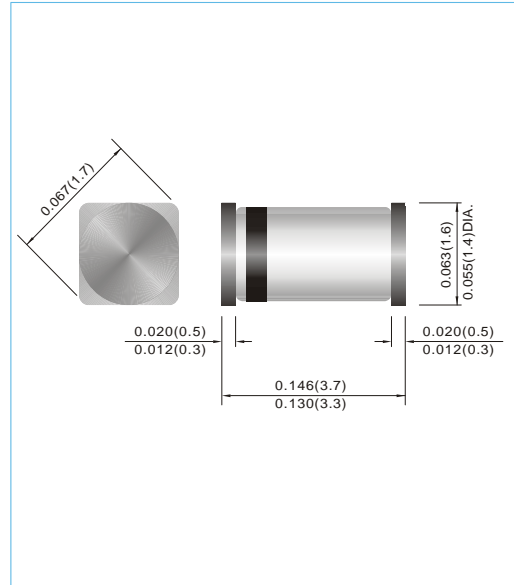
Unit : inch(mm)

FEATURES

- Planar Die construction
- 500mW Power Dissipation
- Ideally Suited for Automated Assembly Processes
- Lead free in comply with EU RoHS 2002/95/EC directives

MECHANICAL DATA

- Case: Molded Glass QUADRO-MELF
- Terminals: Solderable per MIL-STD-750, Method 2026
- Mounting Position: Any



MAXIMUM RATINGS AND ELECTRICAL CHARACTERISTICS (T_A=25°C unless otherwise noted)

Parameter	Symbol	Value	Units
Power Dissipation at T _A = 25°C	P _{TOT}	500	mW
Junction Temperature Range	T _J	175	°C
Storage Temperature Range	T _{STG}	-65 to + 175	°C

Valid provided that leads at a distance of 10mm from case are kept at ambient temperature.

Parameter	Symbol	Min.	Typ.	Max.	Units
Thermal Resistance Junction to Ambient Air	R _{θJA}	--	--	0.3	°C/mW
Forward Voltage at I _F = 100mA	V _F	--	--	1	V

Valid provided that leads at a distance of 10mm from case are kept at ambient temperature.

GQZJ2.0~GQZJ56

Part Number	Nominal Zener Voltage			Max. Zener Impedance				Max Reverse Leakage Current	
	V _Z @ I _{ZT}			Z _{ZT} @ I _{ZT}		Z _{ZK} @ I _{ZK}		I _R @ V _R	
	Nom. V	Min. V	Max. V	Ω	mA	Ω	mA	μA	V
500 mW Zener Diodes									
GQZJ 2.0A	2	1.88	2.1	100	5	1000	0.5	120	0.5
GQZJ 2.0B	2	2.02	2.2	100	5	1000	0.5	120	0.5
GQZJ 2.2A	2.2	2.12	2.3	100	5	1000	0.5	100	0.7
GQZJ 2.2B	2.2	2.22	2.41	100	5	1000	0.5	100	0.7
GQZJ 2.4A	2.4	2.33	2.52	100	5	1000	0.5	120	1
GQZJ 2.4B	2.4	2.43	2.63	100	5	1000	0.5	120	1
GQZJ 2.7A	2.7	2.54	2.75	110	5	1000	0.5	100	1
GQZJ 2.7B	2.7	2.69	2.91	110	5	1000	0.5	100	1
GQZJ 3.0A	3	2.85	3.07	120	5	1000	0.5	50	1
GQZJ 3.0B	3	3.01	3.22	120	5	1000	0.5	50	1
GQZJ 3.3A	3.3	3.16	3.38	120	5	1000	0.5	20	1
GQZJ 3.3B	3.3	3.32	3.53	120	5	1000	0.5	20	1
GQZJ 3.6A	3.6	3.46	3.69	100	5	1000	1	10	1
GQZJ 3.6B	3.6	3.6	3.84	100	5	1000	1	10	1
GQZJ 3.9A	3.9	3.74	4.01	100	5	1000	1	5	1
GQZJ 3.9B	3.9	3.89	4.16	100	5	1000	1	5	1
GQZJ 4.3A	4.3	4.04	4.29	100	5	1000	1	5	1
GQZJ 4.3B	4.3	4.17	4.43	100	5	1000	1	5	1
GQZJ 4.3C	4.3	4.3	4.57	100	5	1000	1	5	1
GQZJ 4.7A	4.7	4.44	4.68	90	5	900	1	5	1
GQZJ 4.7B	4.7	4.55	4.8	90	5	900	1	5	1
GQZJ 4.7C	4.7	4.68	4.93	90	5	900	1	5	1
GQZJ 5.1A	5.1	4.81	5.07	80	5	800	1	5	1.5
GQZJ 5.1B	5.1	4.94	5.2	80	5	800	1	5	1.5
GQZJ 5.1C	5.1	5.09	5.37	80	5	800	1	5	1.5
GQZJ 5.6A	5.6	5.28	5.55	60	5	500	1	5	2.5
GQZJ 5.6B	5.6	5.45	5.73	60	5	500	1	5	2.5
GQZJ 5.6C	5.6	5.61	5.91	60	5	500	1	5	2.5
GQZJ 6.2A	6.2	5.78	6.09	60	5	300	1	5	3
GQZJ 6.2B	6.2	5.96	6.27	60	5	300	1	5	3
GQZJ 6.2C	6.2	6.12	6.44	60	5	300	1	5	3
GQZJ 6.8A	6.8	6.29	6.63	20	5	150	0.5	2	3.5
GQZJ 6.8B	6.8	6.49	6.83	20	5	150	0.5	2	3.5
GQZJ 6.8C	6.8	6.66	7.01	20	5	150	0.5	2	3.5
GQZJ 7.5A	7.5	6.85	7.22	20	5	120	0.5	0.5	4
GQZJ 7.5B	7.5	7.07	7.45	20	5	120	0.5	0.5	4
GQZJ 7.5C	7.5	7.29	7.67	20	5	120	0.5	0.5	4
GQZJ 8.2A	8.2	7.53	7.92	20	5	120	0.5	0.5	5
GQZJ 8.2B	8.2	7.78	8.19	20	5	120	0.5	0.5	5
GQZJ 8.2C	8.2	8.03	8.45	20	5	120	0.5	0.5	5
GQZJ 9.1A	9.1	8.29	8.73	25	5	120	0.5	0.5	6
GQZJ 9.1B	9.1	8.57	9.01	25	5	120	0.5	0.5	6
GQZJ 9.1C	9.1	8.83	9.3	25	5	120	0.5	0.5	6
GQZJ 10A	10	9.12	9.59	30	5	120	0.5	0.2	7
GQZJ 10B	10	9.41	9.9	30	5	120	0.5	0.2	7
GQZJ 10C	10	9.7	10.2	30	5	120	0.5	0.2	7
GQZJ 10D	10	9.94	10.44	30	5	120	0.5	0.2	7
GQZJ 11A	11	10.18	10.71	30	5	120	0.5	0.2	8
GQZJ 11B	11	10.5	11.05	30	5	120	0.5	0.2	8
GQZJ 11C	11	10.82	11.38	30	5	120	0.5	0.2	8

GQZJ2.0~GQZJ56

Part Number	Nominal Zener Voltage			Max. Zener Impedance				Max Reverse Leakage Current	
	V _Z @ I _{ZT}			Z _{ZT} @ I _{ZT}		Z _{ZK} @ I _{ZK}		I _R @ V _R	
	Nom. V	Min. V	Max. V	Ω	mA	Ω	mA	μA	V
500 mW Zener Diodes									
GQZJ 12A	12	11.13	11.71	30	5	110	0.5	0.2	9
GQZJ 12B	12	11.44	12.03	30	5	110	0.5	0.2	9
GQZJ 12C	12	11.74	12.35	30	5	110	0.5	0.2	9
GQZJ 13A	13	12.11	12.75	35	5	110	0.5	0.2	10
GQZJ 13B	13	12.55	13.21	35	5	110	0.5	0.2	10
GQZJ 13C	13	12.99	13.66	35	5	110	0.5	0.2	10
GQZJ 15A	15	13.44	14.13	40	5	110	0.5	0.2	11
GQZJ 15B	15	13.89	14.62	40	5	110	0.5	0.2	11
GQZJ 15C	15	14.35	15.09	40	5	110	0.5	0.2	11
GQZJ 16A	16	14.8	15.57	40	5	150	0.5	0.2	12
GQZJ 16B	16	15.25	16.04	40	5	150	0.5	0.2	12
GQZJ 16C	16	15.69	16.51	40	5	150	0.5	0.2	12
GQZJ 18A	18	16.22	17.06	45	5	150	0.5	0.2	13
GQZJ 18B	18	16.82	17.7	45	5	150	0.5	0.2	13
GQZJ 18C	18	17.42	18.33	45	5	150	0.5	0.2	13
GQZJ 20A	20	18.02	18.96	55	5	200	0.5	0.2	15
GQZJ 20B	20	18.63	19.59	55	5	200	0.5	0.2	15
GQZJ 20C	20	19.23	20.22	55	5	200	0.5	0.2	15
GQZJ 20D	20	19.72	20.72	55	5	200	0.5	0.2	15
GQZJ 22A	22	20.15	21.2	30	5	200	0.5	0.2	17
GQZJ 22B	22	20.64	21.71	30	5	200	0.5	0.2	17
GQZJ 22C	22	21.08	22.17	30	5	200	0.5	0.2	17
GQZJ 22D	22	21.52	22.63	30	5	200	0.5	0.2	17
GQZJ 24A	24	22.05	23.18	35	5	200	0.5	0.2	19
GQZJ 24B	24	22.61	23.77	35	5	200	0.5	0.2	19
GQZJ 24C	24	23.12	24.31	35	5	200	0.5	0.2	19
GQZJ 24D	24	23.63	24.85	35	5	200	0.5	0.2	19
GQZJ 27A	27	24.26	25.52	45	5	250	0.5	0.2	21
GQZJ 27B	27	24.97	26.26	45	5	250	0.5	0.2	21
GQZJ 27C	27	25.63	26.95	45	5	250	0.5	0.2	21
GQZJ 27D	27	26.29	27.64	45	5	250	0.5	0.2	21
GQZJ 30A	30	26.99	28.39	55	5	250	0.5	0.2	23
GQZJ 30B	30	27.7	29.13	55	5	250	0.5	0.2	23
GQZJ 30C	30	28.36	29.82	55	5	250	0.5	0.2	23
GQZJ 30D	30	29.02	30.51	55	5	250	0.5	0.2	23
GQZJ 33A	33	29.68	31.22	65	5	250	0.5	0.2	25
GQZJ 33B	33	30.32	31.88	65	5	250	0.5	0.2	25
GQZJ 33C	33	30.9	32.5	65	5	250	0.5	0.2	25
GQZJ 33D	33	31.49	33.11	65	5	250	0.5	0.2	25
GQZJ 36A	36	32.14	33.79	75	5	250	0.5	0.2	27
GQZJ 36B	36	32.79	34.49	75	5	250	0.5	0.2	27
GQZJ 36C	36	33.4	35.13	75	5	250	0.5	0.2	27
GQZJ 36D	36	34.01	35.77	75	5	250	0.5	0.2	27
GQZJ 39A	39	34.68	36.47	85	5	250	0.5	0.2	30
GQZJ 39B	39	35.36	37.19	85	5	250	0.5	0.2	30
GQZJ 39C	39	36	37.85	85	5	250	0.5	0.2	30
GQZJ 39D	39	36.63	38.52	85	5	250	0.5	0.2	30
GQZJ 43	43	40	45	90	5	-	-	0.2	33
GQZJ 47	47	44	49	90	5	-	-	0.2	36
GQZJ 51	51	48	54	110	5	-	-	0.2	39
GQZJ 56	56	53	60	110	5	-	-	0.2	43

GQZJ2.0~GQZJ56

RATING AND CHARACTERISTIC CURVES

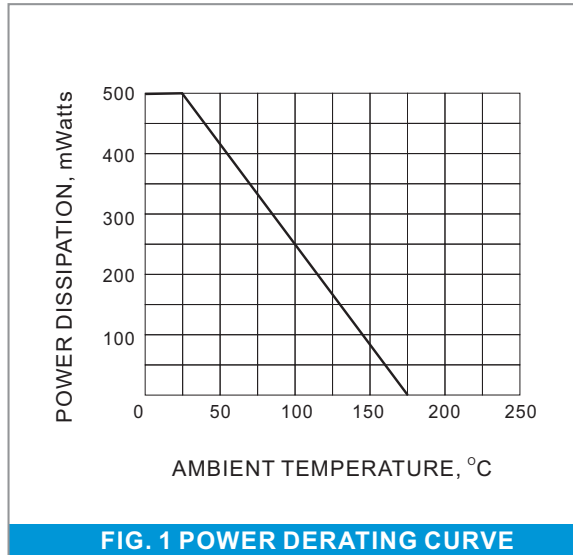


FIG. 1 POWER DERATING CURVE

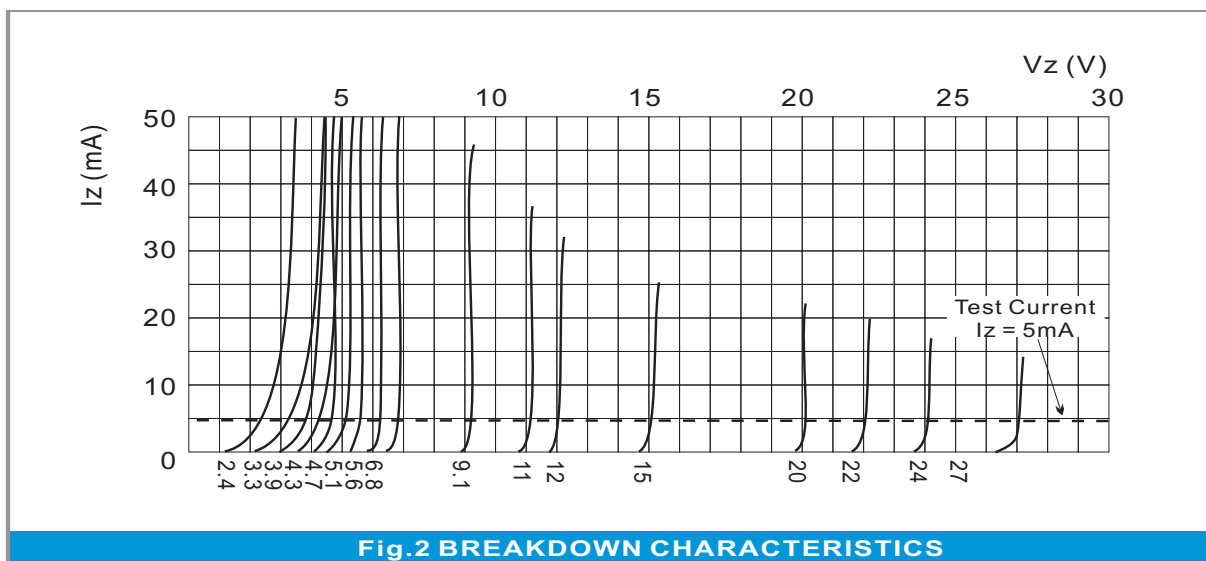


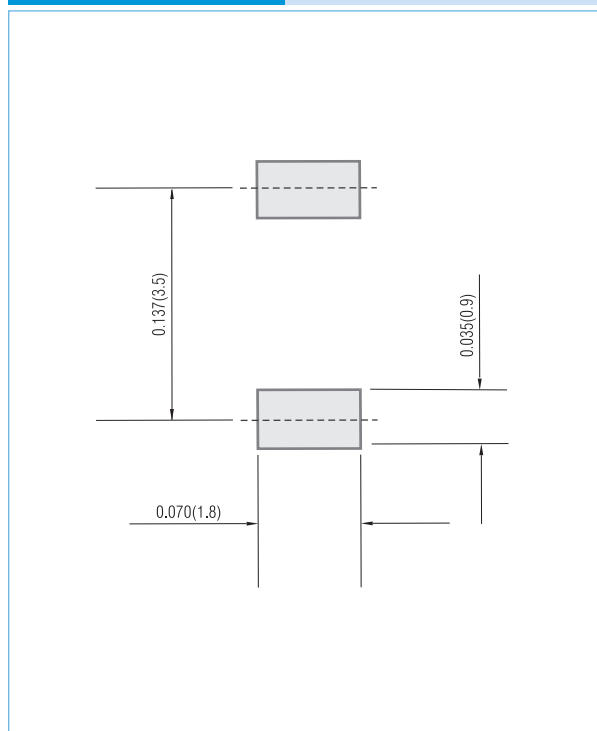
Fig.2 BREAKDOWN CHARACTERISTICS

GQZJ2.0~GQZJ56

MOUNTING PAD LAYOUT

QUADRO-MELF

Unit: inch (mm)



ORDER INFORMATION

- Packing information

T/R - 10K per 13" plastic Reel

T/R - 2.5K per 7" plastic Reel

GQZJ2.0~GQZJ56

Part No_packing code_Version

GQZJ2.0A_R1_10001

GQZJ2.0A_R2_10001

For example :

RB500V-40_R2_00001



Packing Code XX				Version Code XXXXX		
Packing type	1 st Code	Packing size code	2 nd Code	HF or RoHS	1 st Code	2 nd ~5 th Code
T/B	A	N/A	0	HF	0	serial number
T/R	R	7"	1	RoHS	1	serial number
B/P	B	13"	2			
T/P	T	26mm	X			
TRR	S	52mm	Y			
TRL	L	PBCU	U			
FORMING	F	PBCD	D			

Disclaimer

- Reproducing and modifying information of the document is prohibited without permission from Siyang Grande Electronics Co., Ltd..
- Siyang Grande Electronics Co., Ltd. reserves the rights to make changes of the content herein the document anytime without notification. Please refer to our website for the latest document.
- Siyang Grande Electronics Co., Ltd. disclaims any and all liability arising out of the application or use of any product including damages incidentally and consequentially occurred.
- Siyang Grande Electronics Co., Ltd. does not assume any and all implied warranties, including warranties of fitness for particular purpose, non-infringement and merchantability.
- Applications shown on the herein document are examples of standard use and operation. Customers are responsible in comprehending the suitable use in particular applications. Siyang Grande Electronics Co., Ltd. makes no representation or warranty that such applications will be suitable for the specified use without further testing or modification.
- The products shown herein are not designed and authorized for equipments requiring high level of reliability or relating to human life and for any applications concerning life-saving or life-sustaining, such as medical instruments, transportation equipment, aerospace machinery et cetera. Customers using or selling these products for use in such applications do so at their own risk and agree to fully indemnify Siyang Grande Electronics Co., Ltd. for any damages resulting from such improper use or sale.
- Since Grande uses lot number as the tracking base, please provide the lot number for tracking when complaining.