

BZQ55-B2V4~BZQ55-B75

SURFACE MOUNT ZENER DIODES

VOLTAGE 2.4 to 75 Volts

POWER 500 mWatts

QUADRO-MELF

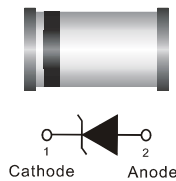
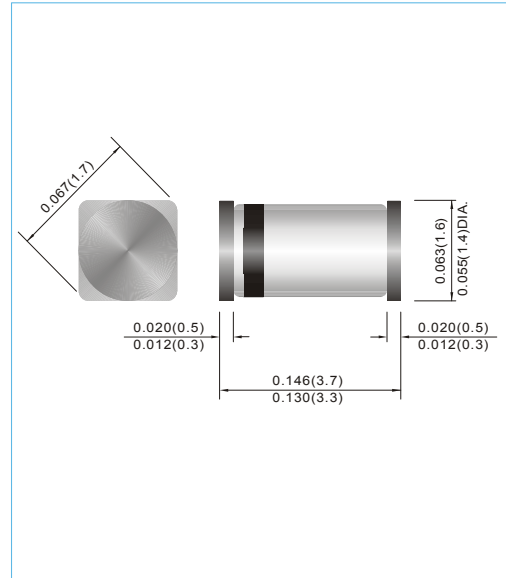
Unit : inch(mm)

FEATURES

- Planar Die construction
- 500mW Power Dissipation
- Ideally Suited for Automated Assembly Processes
- Lead free in comply with EU RoHS 2011/65/EU directives

MECHANICAL DATA

- Case: Molded Glass QUADRO-MELF
- Terminals: Solderable per MIL-STD-750, Method 2026
- Polarity: See Diagram Below
- Mounting Position: Any



MAXIMUM RATINGS AND ELECTRICAL CHARACTERISTICS (T_A=25°C unless otherwise noted)

Parameter	Symbol	Value	Units
Power Dissipation at T _A = 25°C	P _{TOT}	500	mW
Junction Temperature	T _J	175	°C
Storage Temperature Range	T _S	-65 to +175	°C

Valid provided that leads at a distance of 8mm from case are kept at ambient temperature.

Parameter	Symbol	Min.	Typ.	Max.	Units
Thermal Resistance Junction to Ambient Air	R _{θJA}	--	--	0.3	°C/mW
Forward Voltage at I _F = 200mA	V _F	--	--	1.5	V

Valid provided that leads at a distance of 8mm from case are kept at ambient temperature.

BZQ55-B2V4~BZQ55-B75

Part Number	Nominal Zener Voltage			Max. Zener Impedance				Max Reverse Leakage Current	
	Vz @ IzT			ZZT @ IzT		ZZK @ IzK		IR @ VR	
	Nom. V	Min. V	Max. V	Ω	mA	Ω	mA	uA	V
BZQ55-B2V4	2.4	2.35	2.45	85	5	600	1	50	1
BZQ55-B2V7	2.7	2.65	2.75	85	5	600	1	10	1
BZQ55-B3V0	3	2.94	3.06	85	5	600	1	4	1
BZQ55-B3V3	3.3	3.23	3.37	85	5	600	1	2	1
BZQ55-B3V6	3.6	3.53	3.67	85	5	600	1	2	1
BZQ55-B3V9	3.9	3.82	3.98	85	5	600	1	2	1
BZQ55-B4V3	4.3	4.21	4.39	75	5	600	1	1	1
BZQ55-B4V7	4.7	4.61	4.79	60	5	600	1	0.5	1
BZQ55-B5V1	5.1	5.00	5.20	35	5	550	1	0.1	1
BZQ55-B5V6	5.6	5.49	5.71	25	5	450	1	0.1	1
BZQ55-B6V2	6.2	6.08	6.32	10	5	200	1	0.1	2
BZQ55-B6V8	6.8	6.66	6.94	8	5	150	1	0.1	3
BZQ55-B7V5	7.5	7.35	7.65	7	5	50	1	0.1	5
BZQ55-B8V2	8.2	8.04	8.36	7	5	50	1	0.1	6
BZQ55-B9V1	9.1	8.92	9.28	10	5	50	1	0.1	7
BZQ55-B10	10	9.80	10.20	15	5	70	1	0.1	7.5
BZQ55-B11	11	10.78	11.22	20	5	70	1	0.1	8.5
BZQ55-B12	12	11.76	12.24	20	5	90	1	0.1	9
BZQ55-B13	13	12.74	13.26	26	5	110	1	0.1	10
BZQ55-B15	15	14.70	15.30	30	5	110	1	0.1	11
BZQ55-B16	16	15.68	16.32	40	5	170	1	0.1	12
BZQ55-B18	18	17.64	18.36	50	5	170	1	0.1	14
BZQ55-B20	20	19.60	20.40	55	5	220	1	0.1	15
BZQ55-B22	22	21.56	22.44	55	5	220	1	0.1	17
BZQ55-B24	24	23.5	24.5	80	5	220	1	0.1	18
BZQ55-B27	27	26.5	27.5	80	5	220	1	0.1	20
BZQ55-B30	30	29.4	30.6	80	5	220	1	0.1	22
BZQ55-B33	33	32.3	33.7	80	5	220	1	0.1	24
BZQ55-B36	36	35.3	36.7	80	5	220	1	0.1	27
BZQ55-B39	39	38.2	39.8	90	2.5	500	0.5	0.1	30
BZQ55-B43	43	42.1	43.9	90	2.5	600	0.5	0.1	33
BZQ55-B47	47	46.1	47.9	110	2.5	700	0.5	0.1	36
BZQ55-B51	51	50	52	125	2.5	700	0.5	0.1	39
BZQ55-B56	56	54.9	57.1	135	2.5	1000	0.5	0.1	43
BZQ55-B62	62	60.8	63.2	150	2.5	1000	0.5	0.1	47
BZQ55-B68	68	66.6	69.4	200	2.5	1000	0.5	0.1	51
BZQ55-B75	75	73.5	76.5	250	2.5	1500	0.5	0.1	56

Notes.

STANDARD VOLTAGE TOLERANCE IS ± 2% AND :

SUFFIX " A " FOR ± 1%

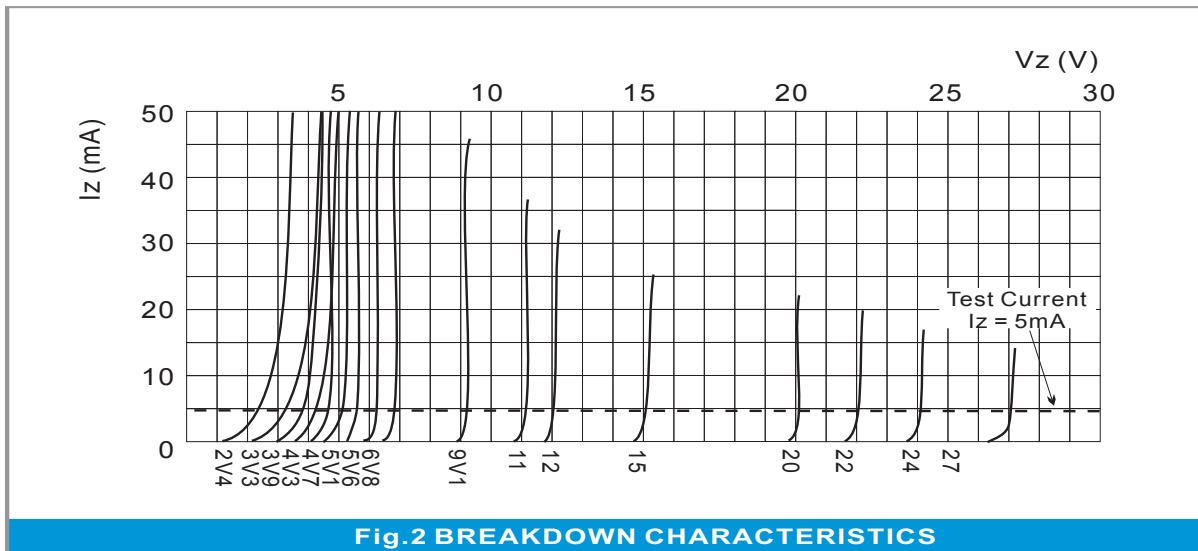
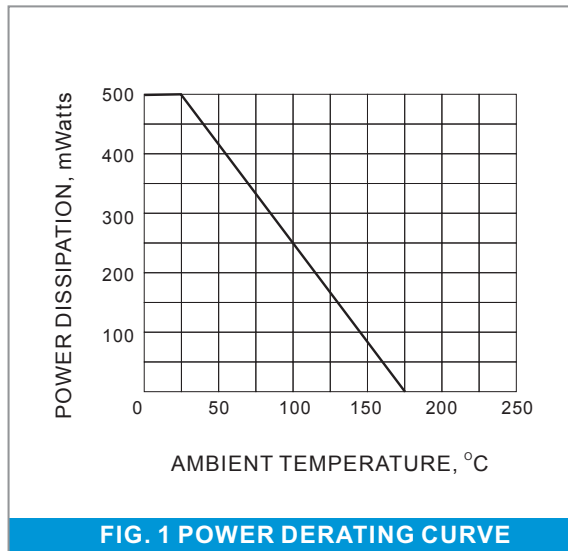
SUFFIX " B " FOR ± 2%

SUFFIX " C " FOR ± 5%

SUFFIX " D " FOR ± 20%

BZQ55-B2V4~BZQ55-B75

RATING AND CHARACTERISTIC CURVES

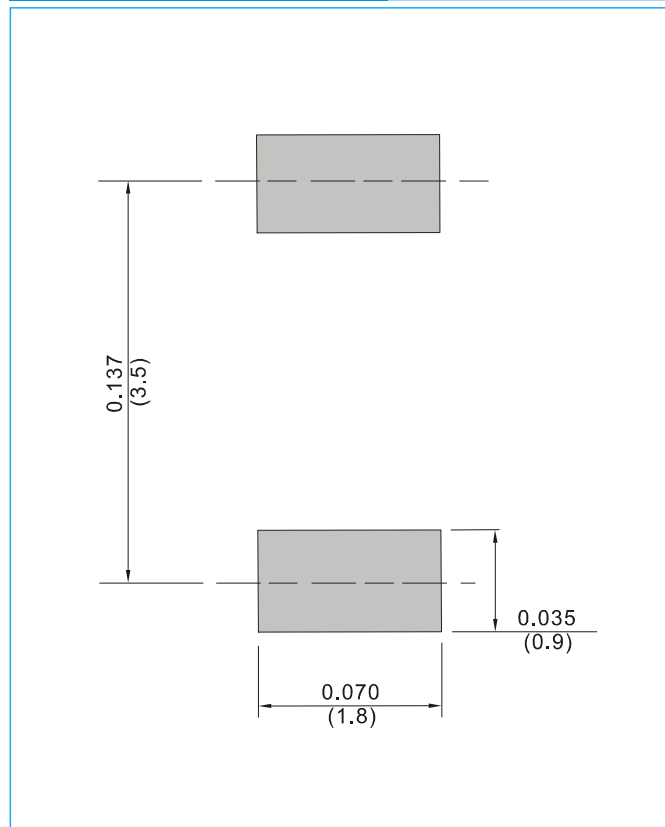


BZQ55-B2V4~BZQ55-B75

MOUNTING PAD LAYOUT

QUADRO-MELF

Unit : inch(mm)



ORDER INFORMATION

- Packing information
 - T/R - 10K per 13" plastic Reel
 - T/R - 2.5K per 7" plastic Reel

BZQ55-B2V4~BZQ55-B75

Part No_packing code_Version

BZQ55-B2V4_R1_10001

BZQ55-B2V4_R2_10001

For example :

RB500V-40 **R2** **00001**



Packing Code XX				Version Code XXXXX		
Packing type	1 st Code	Packing size code	2 nd Code	HF or RoHS	1 st Code	2 nd ~5 th Code
Tape and Ammunition Box (T/B)	A	N/A	0	HF	0	serial number
Tape and Reel (T/R)	R	7"	1	RoHS	1	serial number
Bulk Packing (B/P)	B	13"	2			
Tube Packing (T/P)	T	26mm	X			
Tape and Reel (Right Oriented) (TRR)	S	52mm	Y			
Tape and Reel (Left Oriented) (TRL)	L	PANASERT T/B CATHODE UP (PBCU)	U			
FORMING	F	PANASERT T/B CATHODE DOWN (PBCD)	D			

BZQ55-B2V4~BZQ55-B75

Disclaimer

- Reproducing and modifying information of the document is prohibited without permission from Siyang Grande Electronics Co., Ltd..
- Siyang Grande Electronics Co., Ltd. reserves the rights to make changes of the content herein the document anytime without notification. Please refer to our website for the latest document.
- Siyang Grande Electronics Co., Ltd. disclaims any and all liability arising out of the application or use of any product including damages incidentally and consequentially occurred.
- Siyang Grande Electronics Co., Ltd. does not assume any and all implied warranties, including warranties of fitness for particular purpose, non-infringement and merchantability.
- Applications shown on the herein document are examples of standard use and operation. Customers are responsible in comprehending the suitable use in particular applications. Siyang Grande Electronics Co., Ltd. makes no representation or warranty that such applications will be suitable for the specified use without further testing or modification.
- The products shown herein are not designed and authorized for equipments requiring high level of reliability or relating to human life and for any applications concerning life-saving or life-sustaining, such as medical instruments, transportation equipment, aerospace machinery et cetera. Customers using or selling these products for use in such applications do so at their own risk and agree to fully indemnify Siyang Grande Electronics Co., Ltd. for any damages resulting from such improper use or sale.
- Since Grande uses lot number as the tracking base, please provide the lot number for tracking when complaining.