

BZM5221B~BZM5267B

SURFACE MOUNT ZENER DIODES

VOLTAGE 2.4 to 68 Volts

POWER 500 mWatts

MICRO-MELF

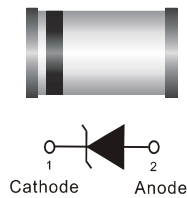
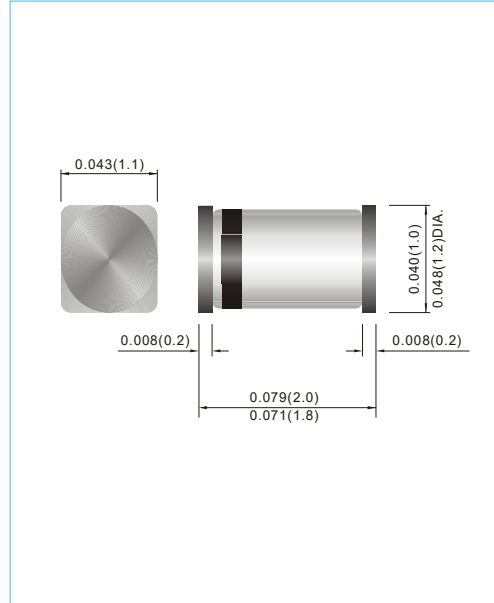
Unit : inch(mm)

FEATURES

- Planar Die construction
- 500mW Power Dissipation
- Ideally Suited for Automated Assembly Processes
- Lead free in comply with EU RoHS 2011/65/EU directives

MECHANICAL DATA

- Case: Molded Glass MICRO-MELF
- Terminals: Solderable per MIL-STD-750, Method 2026
- Polarity: See Diagram Below
- Mounting Position: Any



MAXIMUM RATINGS AND ELECTRICAL CHARACTERISTICS (TA=25°C unless otherwise noted)

Parameter	Symbol	Value	Units
Power Dissipation at TA= 25°C	P _{TOT}	500	mW
Junction Temperature	T _J	175	°C
Storage Temperature Range	T _S	-65 to +175	°C

Valid provided that leads at a distance of 8mm from case are kept at ambient temperature.

Parameter	Symbol	Min.	Typ.	Max.	Units
Thermal Resistance Junction to Ambient Air	R _{θJA}	--	--	0.3	°C/mW
Forward Voltage at I _F = 200mA	V _F	--	--	1.1	V

Valid provided that leads at a distance of 8mm from case are kept at ambient temperature.

BZM5221B~BZM5267B

Part Number	Nominal Zener Voltage			Max. Zener Impedance				Max Reverse Leakage Current	
	Vz @ IzT			ZzT @ IzT		ZzK @ IzK		Ir @ VR	
	Nom. V	Min. V	Max. V	Ω	mA	Ω	mA	μA	V
BZM5221B	2.4	2.28	2.52	30	20	1200	0.25	100	1
BZM5222B	2.5	2.38	2.63	30	20	1250	0.25	100	1
BZM5223B	2.7	2.57	2.84	30	20	1300	0.25	75	1
BZM5224B	2.8	2.66	2.94	30	20	1400	0.25	75	1
BZM5225B	3.0	2.85	3.15	29	20	1600	0.25	50	1
BZM5226B	3.3	3.14	3.47	28	20	1600	0.25	25	1
BZM5227B	3.6	3.42	3.78	24	20	1700	0.25	15	1
BZM5228B	3.9	3.71	4.1	23	20	1900	0.25	10	1
BZM5229B	4.3	4.09	4.52	22	20	2000	0.25	5	1
BZM5230B	4.7	4.47	4.94	19	20	1900	0.25	5	2
BZM5231B	5.1	4.85	5.36	17	20	1600	0.25	5	2
BZM5232B	5.6	5.32	5.88	11	20	1600	0.25	5	3
BZM5233B	6.0	5.7	6.3	7	20	1600	0.25	5	3.5
BZM5234B	6.2	5.89	6.51	7	20	1000	0.25	5	4
BZM5235B	6.8	6.46	7.14	5	20	750	0.25	3	5
BZM5236B	7.5	7.13	7.88	6	20	500	0.25	3	6
BZM5237B	8.2	7.79	8.61	8	20	500	0.25	3	6.5
BZM5238B	8.7	8.27	9.14	8	20	600	0.25	3	6.5
BZM5239B	9.1	8.65	9.56	10	20	600	0.25	3	7
BZM5240B	10	9.5	10.5	17	20	600	0.25	3	8

Notes.

STANDARD VOLTAGE TOLERANCE IS ± 5% AND :

SUFFIX " A " FOR ± 3%

SUFFIX " B " FOR ± 5%

SUFFIX " C " FOR ± 10%

SUFFIX " D " FOR ± 20%

BZM5221B~BZM5267B

Part Number	Nominal Zener Voltage			Max. Zener Impedance				Max Reverse Leakage Current	
	Vz @ IzT			ZzT @ IzT		Zzk @ Izk		IR @ VR	
	Nom. V	Min. V	Max. V	Ω	mA	Ω	mA	μA	V
BZM5241B	11	10.45	11.55	22	20	600	0.25	2	8.4
BZM5242B	12	11.4	12.6	30	20	600	0.25	1	9.1
BZM5243B	13	12.35	13.65	13	9.5	600	0.25	0.5	9.9
BZM5244B	14	13.3	14.7	15	9	600	0.25	0.1	10
BZM5245B	15	14.25	15.75	16	8.5	600	0.25	0.1	11
BZM5246B	16	15.2	16.8	17	7.8	600	0.25	0.1	12
BZM5247B	17	16.15	17.85	19	7.4	600	0.25	0.1	13
BZM5248B	18	17.1	18.9	21	7	600	0.25	0.1	14
BZM5249B	19	18.05	19.95	23	6.6	600	0.25	0.1	14
BZM5250B	20	19	21	25	6.2	600	0.25	0.1	15
BZM5251B	22	20.9	23.1	29	5.6	600	0.25	0.1	17
BZM5252B	24	22.8	25.2	33	5.2	600	0.25	0.1	18
BZM5253B	25	23.75	26.25	35	5	600	0.25	0.1	19
BZM5254B	27	25.65	28.35	41	4.6	600	0.25	0.1	21
BZM5255B	28	26.6	29.4	44	4.5	600	0.25	0.1	21
BZM5256B	30	28.5	31.5	49	4.2	600	0.25	0.1	23
BZM5257B	33	31.35	34.65	58	3.8	700	0.25	0.1	25
BZM5258B	36	34.2	37.8	70	3.4	700	0.25	0.1	27
BZM5259B	39	37.05	40.95	80	3.2	800	0.25	0.1	30
BZM5260B	43	40.85	45.15	93	3	900	0.25	0.1	33
BZM5261B	47	44.65	49.35	150	2.7	1000	0.25	0.1	36
BZM5262B	51	48.45	53.55	125	2.5	1100	0.25	0.1	39
BZM5263B	56	53.2	58.8	150	2.2	1300	0.25	0.1	43
BZM5264B	60	57	63	170	2.1	1400	0.25	0.1	46
BZM5265B	62	58.9	65.1	185	2	1400	0.25	0.1	47
BZM5266B	68	64.6	71.4	230	1.8	1600	0.25	0.1	52
BZM5267B	75	71.25	78.75	270	1.7	1700	0.25	0.1	56

Notes.

- STANDARD VOLTAGE TOLERANCE IS ± 5% AND :
- SUFFIX " A" FOR ± 3%
- SUFFIX " B" FOR ± 5%
- SUFFIX " C" FOR ± 10%
- SUFFIX " D" FOR ± 20%

BZM5221B~BZM5267B

RATING AND CHARACTERISTIC CURVES

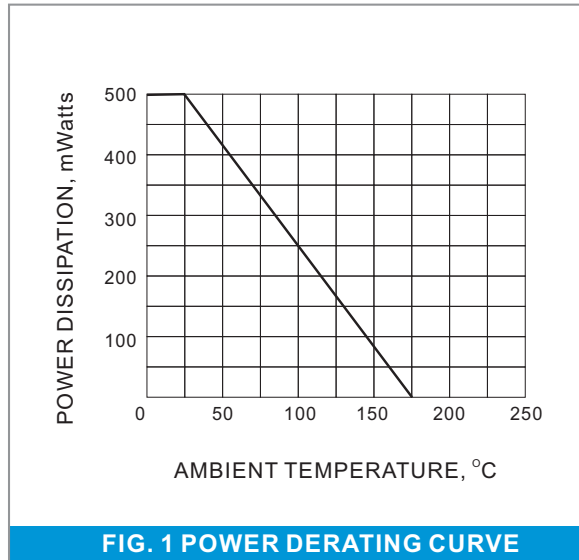


FIG. 1 POWER DERATING CURVE

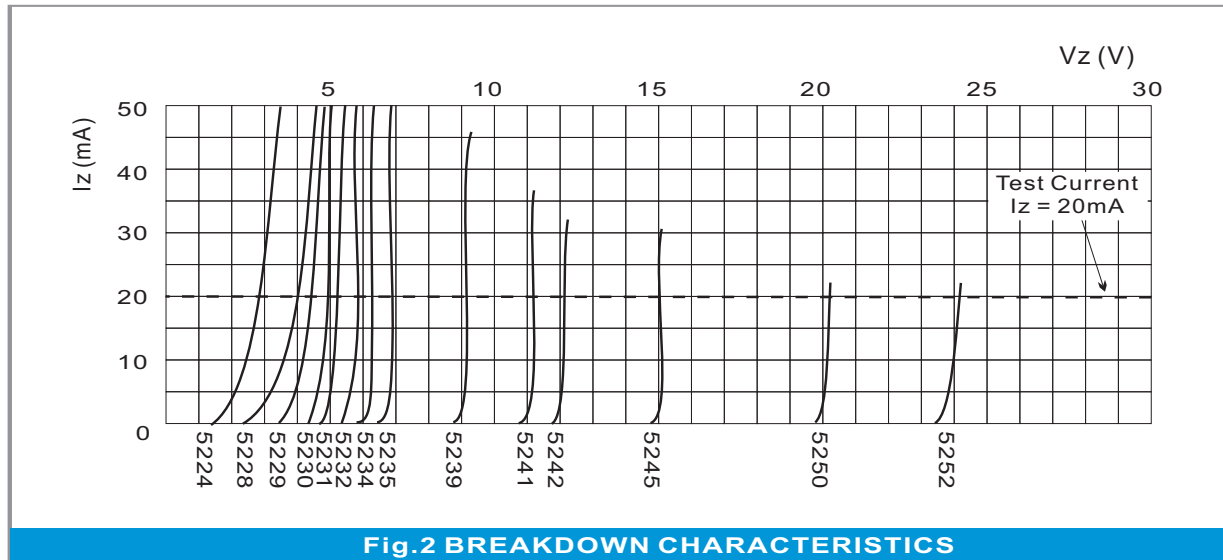


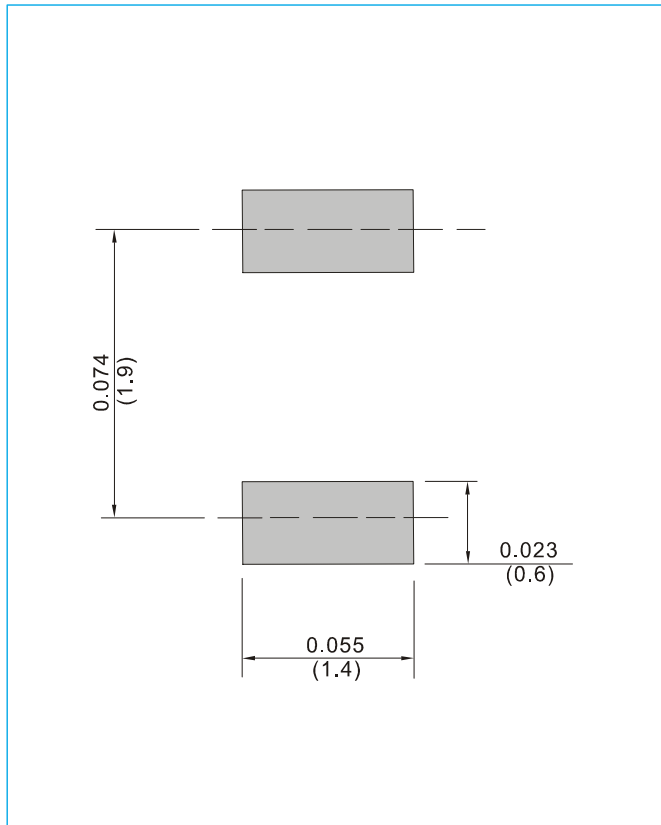
Fig.2 BREAKDOWN CHARACTERISTICS

BZM5221B~BZM5267B

MOUNTING PAD LAYOUT

MICRO-MELF

Unit : inch(mm)



ORDER INFORMATION

- Packing information
T/R - 10K per 13" plastic Reel
T/R - 3K per 7" plastic Reel

BZM5221B~BZM5267B

Part No_packing code_Version

BZM5221B_R1_10001

BZM5221B_R2_10001

For example :

RB500V-40_R2_00001



Packing Code XX				Version Code XXXXX		
Packing type	1 st Code	Packing size code	2 nd Code	HF or RoHS	1 st Code	2 nd ~5 th Code
Tape and Ammunition Box (T/B)	A	N/A	0	HF	0	serial number
Tape and Reel (T/R)	R	7"	1	RoHS	1	serial number
Bulk Packing (B/P)	B	13"	2			
Tube Packing (T/P)	T	26mm	X			
Tape and Reel (Right Oriented) (TRR)	S	52mm	Y			
Tape and Reel (Left Oriented) (TRL)	L	PANASERT T/B CATHODE UP (PBCU)	U			
FORMING	F	PANASERT T/B CATHODE DOWN (PBCD)	D			

BZM5221B~BZM5267B

Disclaimer

- Reproducing and modifying information of the document is prohibited without permission from Siyang Grande Electronics Co., Ltd..
- Siyang Grande Electronics Co., Ltd. reserves the rights to make changes of the content herein the document anytime without notification. Please refer to our website for the latest document.
- Siyang Grande Electronics Co., Ltd. disclaims any and all liability arising out of the application or use of any product including damages incidentally and consequentially occurred.
- Siyang Grande Electronics Co., Ltd. does not assume any and all implied warranties, including warranties of fitness for particular purpose, non-infringement and merchantability.
- Applications shown on the herein document are examples of standard use and operation. Customers are responsible in comprehending the suitable use in particular applications. Siyang Grande Electronics Co., Ltd. makes no representation or warranty that such applications will be suitable for the specified use without further testing or modification.
- The products shown herein are not designed and authorized for equipments requiring high level of reliability or relating to human life and for any applications concerning life-saving or life-sustaining, such as medical instruments, transportation equipment, aerospace machinery et cetera. Customers using or selling these products for use in such applications do so at their own risk and agree to fully indemnify Siyang Grande Electronics Co., Ltd. for any damages resulting from such improper use or sale.
- Since Grande uses lot number as the tracking base, please provide the lot number for tracking when complaining.