

# 1N60

## SCHOTTKY BARRIERS SWITCHING DIODES

**VOLTAGE** 40 Volt **CURRENT** 0.03 Ampere

**DO-35** Unit : inch(mm)

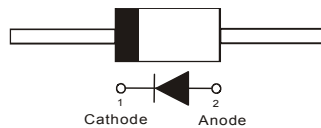
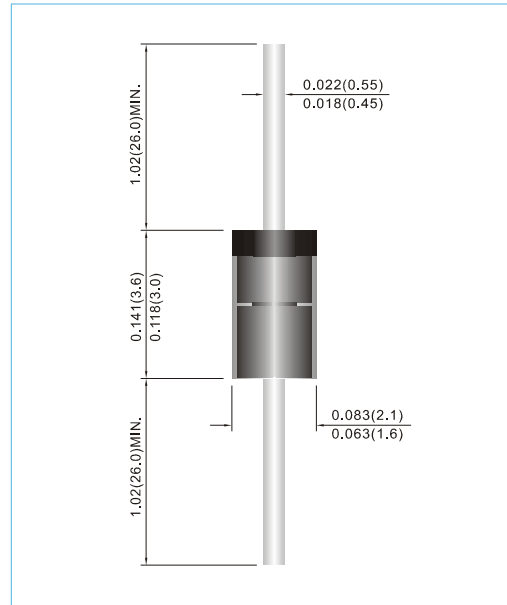
### FEATURES

- Low Forward Voltage Drop
- Guard Ring Construction for Transient Protection
- Low Reverse Recovery Time
- Low Reverse Capacitance
- Lead free in compliance with EU RoHS 2011/65/EU directive

### MECHANICAL DATA

- Case: Molded Glass DO-35
- Terminals: Solderable per MIL-STD-750, Method 2026
- Packing information

B/P - 2K per Bulk box  
 T/R - 10K per 15" Reel  
 T/B - 5K per horiz. tape & Ammo box



## MAXIMUM RATINGS AND ELECTRICAL CHARACTERISTICS (TA=25°C unless otherwise noted)

PARAMETER	SYMBOL	1N60	UNITS
Peak Repetitive Reverse Voltage	$V_{RRM}$	40	V
Forward Continuous Currentt	$I_{F(AV)}$	30	mA
Peak Forward Surge Current, t=1s	$I_{FSM}$	150	mA
Maximum lead temperature for soldering during 10s at 4mm from case	$T_L$	230	°C
Maximum Forward Voltage	$V_F$	0.5 1.0	V
Maximum Reverse Current VR=15V	$I_R$	0.5	μA
Typical Junction Capacitance	$C_J$	2	pF
Typical Reverse Recovery	$t_{rr}$	1	ns
Typical Thermal Resistance	$R_{\theta JA}$	400	°C / W
Storage and Junction Temperature Rangee	$T_J, T_{STG}$	-55 to + 150	°C

### NOTE :

1. CJ at VR=0, f=1MHZ
2. From IF=50mA to IR=200mA, RL=100Ω

# 1N60

## RATING AND CHARACTERISTIC CURVES

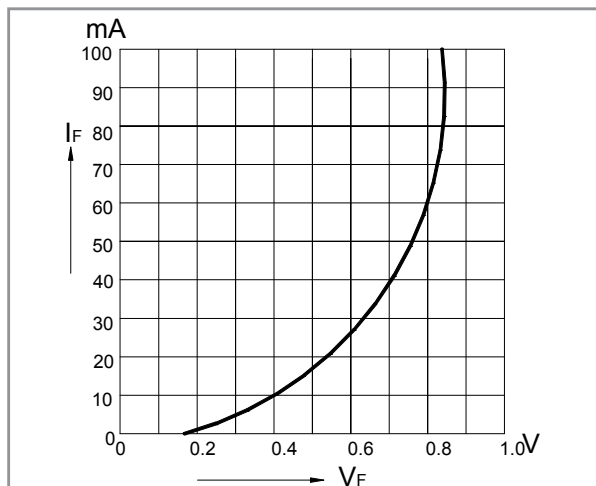


FIG.1-FORWARD CURRENT VERSUS FORWARD VOLTAGE (TYPICAL VALUES)

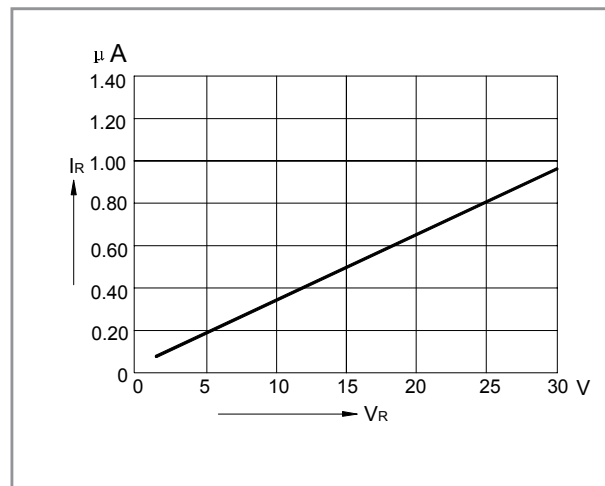


FIG.2-REVERSE CURRENT VERSUS CONTINUOUS REVERSE VOLTAGE

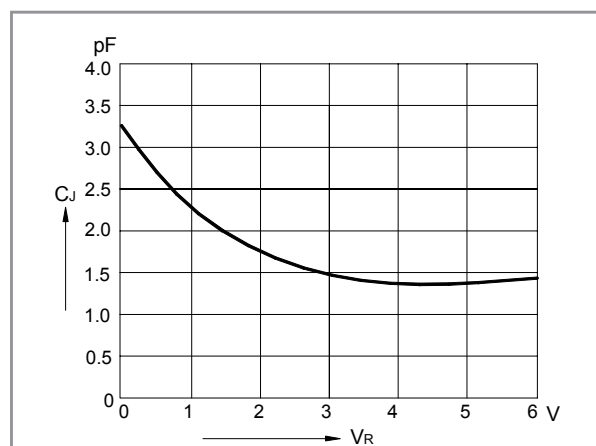


FIG.3-JUNCTION CAPACITANCE VERSUS CONTINUOUS REVERSE APPLIED VOLTAGE

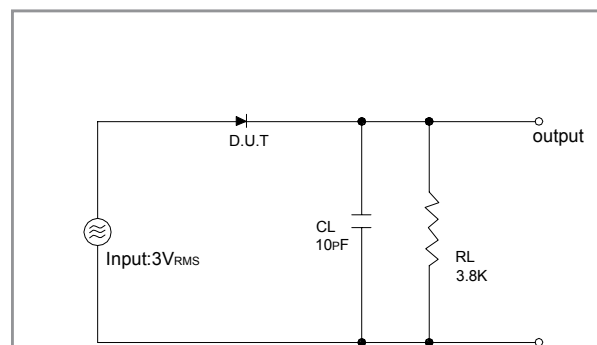


FIG.4-DETECTION EFFICIENCY MEASUREMENT CIRCUIT

# 1N60

## Part No\_packing code\_Version

1N60\_AX\_10001

1N60\_AY\_10001

1N60\_R2\_10001

1N60\_B0\_10001

For example :

**RB500V-40** **R2** **00001**

Part No.

Serial number

Version code means HF

Packing size code means 13"

Packing type means T/R

Packing Code <b>XX</b>				Version Code <b>XXXXX</b>		
Packing type	1 <sup>st</sup> Code	Packing size code	2 <sup>nd</sup> Code	HF or RoHS	1 <sup>st</sup> Code	2 <sup>nd</sup> ~5 <sup>th</sup> Code
Tape and Ammunition Box (T/B)	<b>A</b>	N/A	<b>0</b>	<b>HF</b>	<b>0</b>	serial number
Tape and Reel (T/R)	<b>R</b>	7"	<b>1</b>	<b>RoHS</b>	<b>1</b>	serial number
Bulk Packing (B/P)	<b>B</b>	13"	<b>2</b>			
Tube Packing (T/P)	<b>T</b>	26mm	<b>X</b>			
Tape and Reel (Right Oriented) (TRR)	<b>S</b>	52mm	<b>Y</b>			
Tape and Reel (Left Oriented) (TRL)	<b>L</b>	PANASERT T/B CATHODE UP (PBCU)	<b>U</b>			
FORMING	<b>F</b>	PANASERT T/B CATHODE DOWN (PBCD)	<b>D</b>			

## Disclaimer

- Reproducing and modifying information of the document is prohibited without permission from Siyang Grande Electronics Co., Ltd..
- Siyang Grande Electronics Co., Ltd. reserves the rights to make changes of the content herein the document anytime without notification. Please refer to our website for the latest document.
- Siyang Grande Electronics Co., Ltd. disclaims any and all liability arising out of the application or use of any product including damages incidentally and consequentially occurred.
- Siyang Grande Electronics Co., Ltd. does not assume any and all implied warranties, including warranties of fitness for particular purpose, non-infringement and merchantability.
- Applications shown on the herein document are examples of standard use and operation. Customers are responsible in comprehending the suitable use in particular applications. Siyang Grande Electronics Co., Ltd. makes no representation or warranty that such applications will be suitable for the specified use without further testing or modification.
- The products shown herein are not designed and authorized for equipments requiring high level of reliability or relating to human life and for any applications concerning life-saving or life-sustaining, such as medical instruments, transportation equipment, aerospace machinery et cetera. Customers using or selling these products for use in such applications do so at their own risk and agree to fully indemnify Siyang Grande Electronics Co., Ltd. for any damages resulting from such improper use or sale.
- Since Grande uses lot number as the tracking base, please provide the lot number for tracking when complaining.