

DL85C3V3~DL85C75

SURFACE MOUNT ZENER DIODES

VOLTAGE 3.3 to 75 Volts **POWER** 1.3 Watts

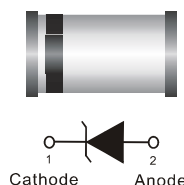
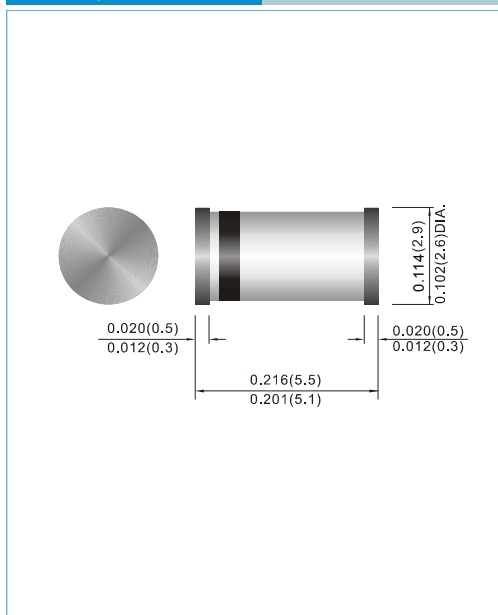
MELF / DL-41 Unit : inch(mm)

FEATURES

- Low inductance
- Lead free in comply with EU RoHS 2011/65/EU directives

MECHANICAL DATA

- Case: Molded Glass MELF / DL-41
- Terminals: Solderable per MIL-STD-750, Method 2026
- Polarity: Color band denotes cathode end



MAXIMUM RATINGS AND ELECTRICAL CHARACTERISTICS

Ratings at 25°C ambient temperature unless otherwise specified.

Parameter	Symbol	Value	Units
Power Dissipation at $T_A = 25^\circ\text{C}$	P_{TOT}	1.3	W
Operating Junction Temperature Range	T_J	-65 to +200	$^\circ\text{C}$
Storage Temperature Range	T_{STG}	-65 to +200	$^\circ\text{C}$

*Valid provided that leads at a distance of 10mm from case are kept at ambient temperature.

Parameter	Symbol	Min.	Typ.	Max.	Units
Thermal Resistance Junction to Ambient Air	$R_{\theta JA}$	--	--	170*	$^\circ\text{C/W}$
Forward Voltage at $I_F = 200\text{mA}$	V_F	--	--	1.2	V

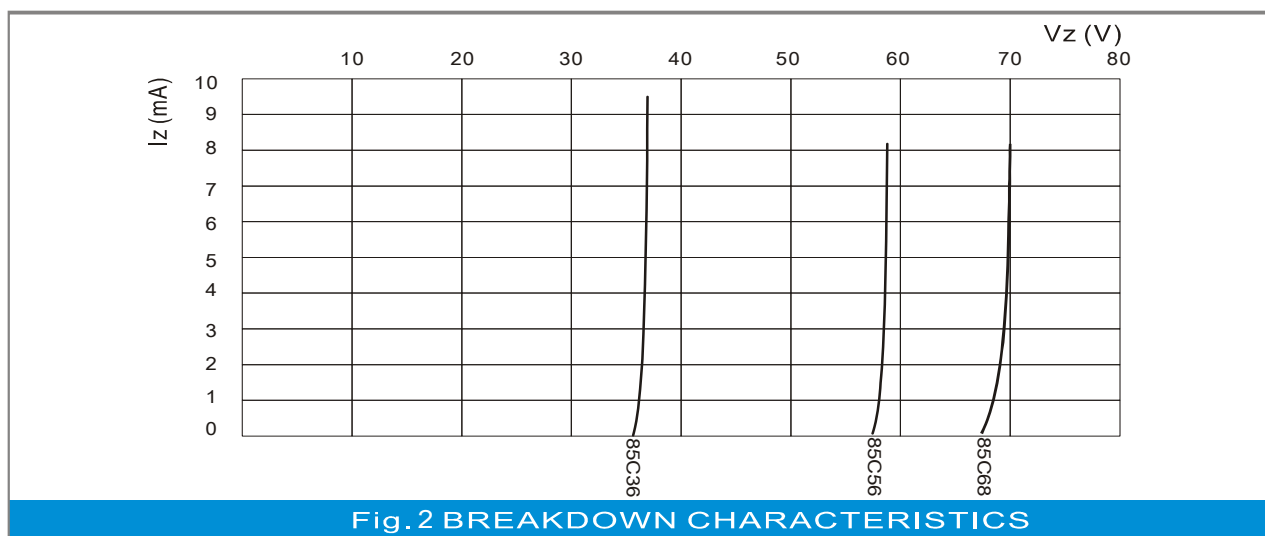
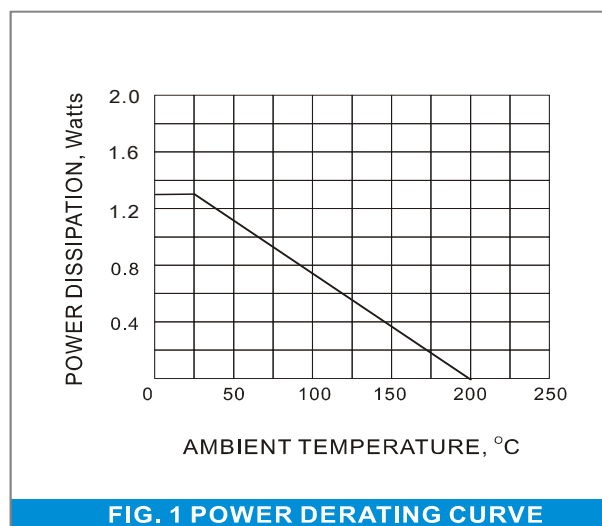
*Valid provided that leads at a distance of 10mm from case are kept at ambient temperature.

DL85C3V3~DL85C75

Part Number	Maximum Zener Voltage			Maximum Zener Impedance				Maximum Leakage Current	
	V _Z @ I _{ZT}			Z _{ZT} @ I _{ZT}		Z _{ZK} @ I _{ZK}		I _R @ V _R	
	Nom. V	Min. V	Max. V	Ω	mA	Ω	mA	μA	V
1.3 Watt Zener Diodes (Glass Sealed Envelope)									
DL85C3V3	3.3	3.10	3.50	20	80	400	1	40	1
DL85C3V6	3.6	3.40	3.80	20	60	500	1	20	1
DL85C3V9	3.9	3.70	4.10	15	60	500	1	10	1
DL85C4V3	4.3	4.00	4.60	13	60	500	1	3	1
DL85C4V7	4.7	4.40	5.00	13	45	600	1	3	1
DL85C5V1	5.1	4.80	5.40	10	45	500	1	1	1.5
DL85C5V6	5.6	5.20	6.00	7	45	400	1	1	2
DL85C6V2	6.2	5.80	6.60	4	35	300	1	1	3
DL85C6V8	6.8	6.40	7.20	3.5	35	300	1	1	4
DL85C7V5	7.5	7.00	7.90	3	35	200	0.5	1	4.5
DL85C8V2	8.2	7.70	8.70	5	25	200	0.5	1	6.2
DL85C9V1	9.1	8.50	9.60	5	25	200	0.5	1	6.8
DL85C10	10	9.40	10.60	7	25	200	0.5	0.5	7.0
DL85C11	11	10.40	11.60	8	20	300	0.5	0.5	8.2
DL85C12	12	11.40	12.70	9	20	350	0.5	0.5	9.1
DL85C13	13	12.40	14.10	10	20	400	0.5	0.5	10
DL85C15	15	13.80	15.60	15	15	500	0.5	0.5	11
DL85C16	16	15.30	17.10	15	15	500	0.5	0.5	12
DL85C18	18	16.80	19.10	20	15	500	0.5	0.5	13
DL85C20	20	18.80	21.20	24	10	600	0.5	0.5	15
DL85C22	22	20.80	23.30	25	10	600	0.5	0.5	16
DL85C24	24	22.80	25.60	25	10	600	0.5	0.5	18
DL85C27	27	25.10	28.90	30	8.0	750	0.25	0.5	20
DL85C30	30	28.00	32.00	30	8.0	1000	0.25	0.5	22
DL85C33	33	31.00	35.00	35	8.0	1000	0.25	0.5	24
DL85C36	36	34.00	38.00	40	8.0	1000	0.25	0.5	27
DL85C39	39	37.00	41.00	50	6.0	1000	0.25	0.5	30
DL85C43	43	40.00	46.00	50	6.0	1000	0.25	0.5	33
DL85C47	47	44.00	50.00	90	4.0	1500	0.25	0.5	36
DL85C51	51	48.00	54.00	115	4.0	1500	0.25	0.5	39
DL85C56	56	52.00	60.00	120	4.0	2000	0.25	0.5	43
DL85C62	62	58.00	66.00	125	4.0	2000	0.25	0.5	47
DL85C68	68	64.00	72.00	130	4.0	2000	0.25	0.5	51
DL85C75	75	70.00	79.00	135	4.0	2000	0.25	0.5	56

DL85C3V3~DL85C75

RATING AND CHARACTERISTIC CURVES

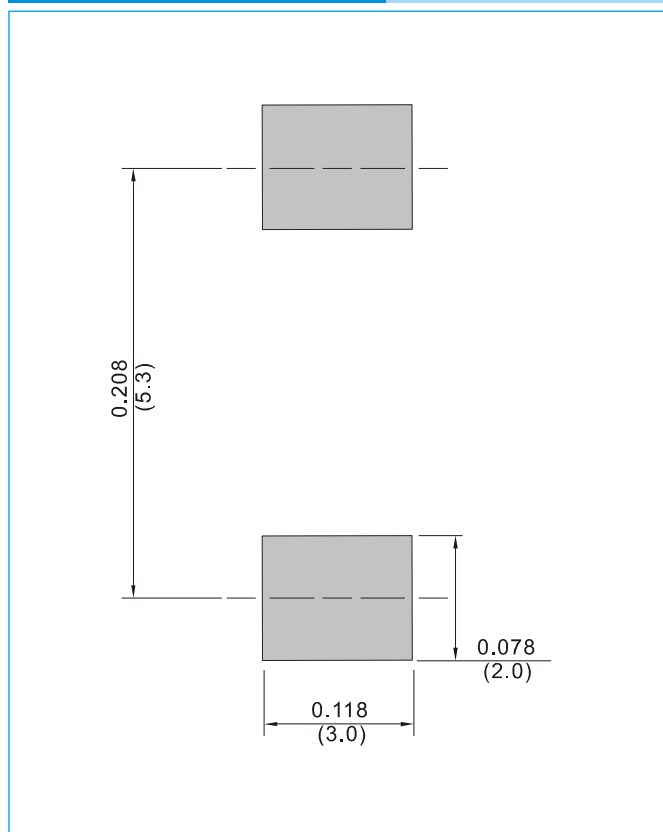


DL85C3V3~DL85C75

MOUNTING PAD LAYOUT

MELF / DL-41

Unit : inch(mm)



ORDER INFORMATION

- Packing information
T/R - 5K per 13" Reel
- T/R - 1.5K per 7" Reel

DL85C3V3~DL85C75

Part No_packing

code_Version

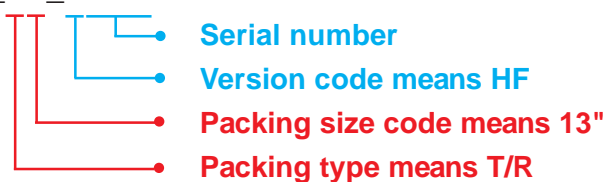
DL85C3V3_R1_10001

DL85C3V3_R2_10001

For example :

RB500V-40 **R2** **00001**

Part No.



Packing Code XX				Version Code XXXXX		
Packing type	1 st Code	Packing size code	2 nd Code	HF or RoHS	1 st Code	2 nd ~5 th Code
Tape and Ammunition Box (T/B)	A	N/A	0	HF	0	serial number
Tape and Reel (T/R)	R	7"	1	RoHS	1	serial number
Bulk Packing (B/P)	B	13"	2			
Tube Packing (T/P)	T	26mm	X			
Tape and Reel (Right Oriented) (TRR)	S	52mm	Y			
Tape and Reel (Left Oriented) (TRL)	L	PANASERT T/B CATHODE UP (PBCU)	U			
FORMING	F	PANASERT T/B CATHODE DOWN (PBCD)	D			

Disclaimer

- Reproducing and modifying information of the document is prohibited without permission from Siyang Grande Electronics Co., Ltd..
- Siyang Grande Electronics Co., Ltd. reserves the rights to make changes of the content herein the document anytime without notification. Please refer to our website for the latest document.
- Siyang Grande Electronics Co., Ltd. disclaims any and all liability arising out of the application or use of any product including damages incidentally and consequentially occurred.
- Siyang Grande Electronics Co., Ltd. does not assume any and all implied warranties, including warranties of fitness for particular purpose, non-infringement and merchantability.
- Applications shown on the herein document are examples of standard use and operation. Customers are responsible in comprehending the suitable use in particular applications. Siyang Grande Electronics Co., Ltd. makes no representation or warranty that such applications will be suitable for the specified use without further testing or modification.
- The products shown herein are not designed and authorized for equipments requiring high level of reliability or relating to human life and for any applications concerning life-saving or life-sustaining, such as medical instruments, transportation equipment, aerospace machinery et cetera. Customers using or selling these products for use in such applications do so at their own risk and agree to fully indemnify Siyang Grande Electronics Co., Ltd. for any damages resulting from such improper use or sale.
- Since Grande uses lot number as the tracking base, please provide the lot number for tracking when complaining.