

# SR220~SR2200

## SCHOTTKY BARRIER RECTIFIER

**VOLTAGE** 20 to 200 Volt **CURRENT** 2 Ampere

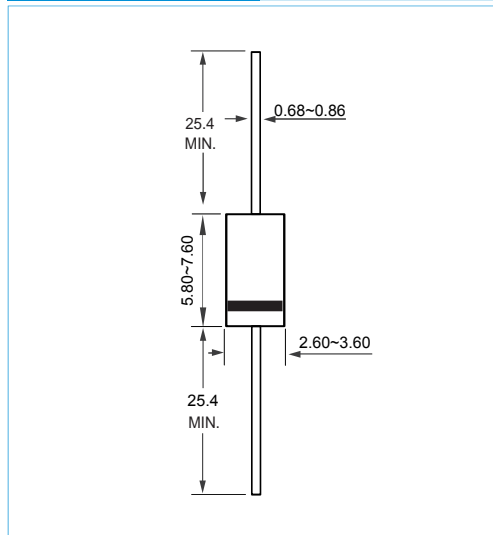
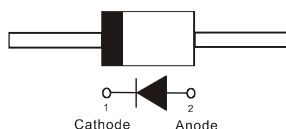
**DO-15** Unit:mm

### FEATURES

- Fast switching speed
- Low forward voltage
- Low power high efficiency
- High surge capability

### MECHANICAL DATA

- Case Material: Molded Plastic.
- UL Flammability Classification Rating 94V-0



### MAXIMUM RATINGS AND ELECTRICAL CHARACTERISTICS

Ratings at 25°C ambient temperature unless otherwise specified.

PARAMETER	SYMBOL	SR220	SR230	SR240	SR250	SR260	SR280	SR2100	SR2150	SR2200	UNITS	
Maximum Recurrent Peak Reverse Voltage	$V_{RRM}$	20	30	40	50	60	80	100	150	200	V	
Maximum RMS Voltage	$V_{RMS}$	14	21	28	35	42	56	70	105	140	V	
Maximum DC Blocking Voltage	$V_{DC}$	20	30	40	50	60	80	100	150	200	V	
Maximum Average Forward Current (see FIG.1)	$I_{F(AV)}$	2									A	
Peak Forward Surge Current : 8.3ms single half sine-wave superimposed on rated load	$I_{FSM}$	50									A	
Maximum Forward Voltage at 2 A	$V_F$	0.55		0.70		0.85		0.92		0.95	V	
Maximum DC Reverse Current at Rated DC Blocking Voltage $T_J = 25^\circ C$ $T_J = 100^\circ C$	$I_R$	0.5				0.2				5	mA	
Typical Junction Capacitance	$C_J$	170									pF	
Thermal Resistance	$R_{\theta JA}$	50									°C / W	
Operating Junction Temperature Range	$T_J$	-55 to +125					-55 to +150					°C
Storage Temperature Range	$T_{STG}$	-55 to +150									°C	

NOTE :

1.Pulse test:300μS pulse width,1%duty cycle

# SR220~SR2200

## RATING AND CHARACTERISTIC CURVES

FIG.1-TYPICAL FORWARD CURRENT DERATING CURVE

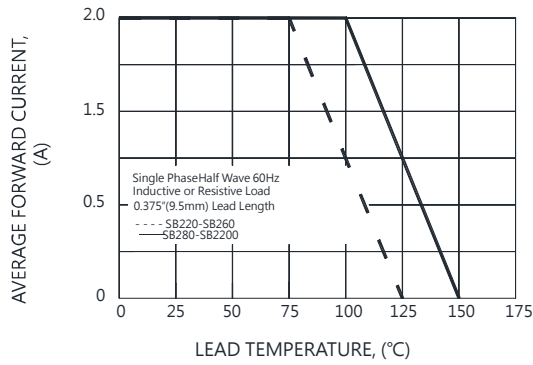


FIG.2-MAXIMUM NON-REPETITIVE PEAK FORWARD SURGE CURRENT

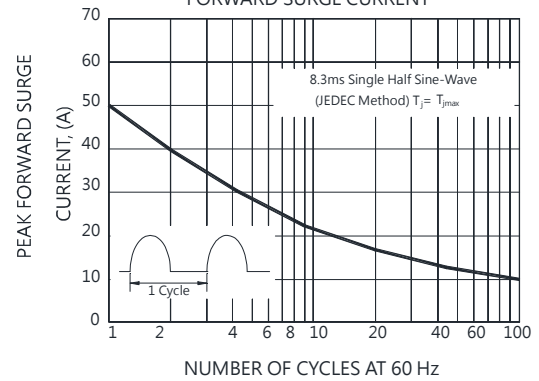


FIG.3-TYPICAL INSTANTANEOUS FORWARD CHARACTERISTICS

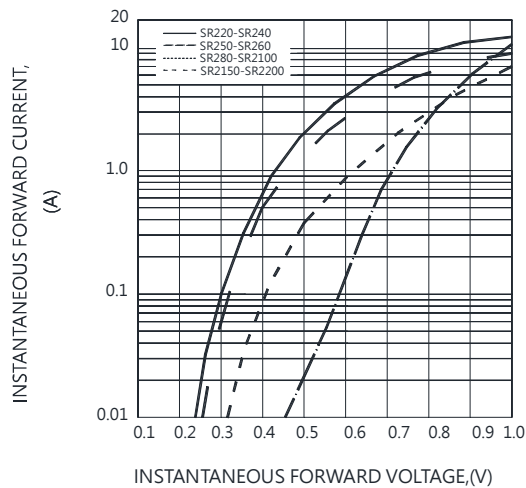
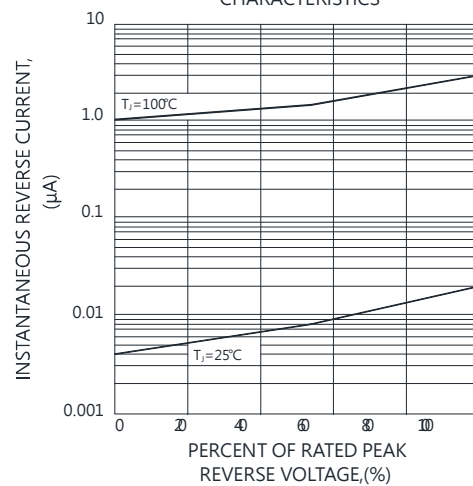


FIG.4-TYPICAL REVERSE CHARACTERISTICS



## SR220~SR2200

---

### ORDER INFORMATION

- Packing information

SR220~SR2200	Packing Quantity
Tape&Reel	13 Inch; 4kpcs/Reel
Ammo Packing	3kpcs/Ammo Box
Bulk(Tube/Box)	1kpcs/Box