

FR201~FR207

FAST RECOVERY RECTIFIERS

VOLTAGE 50 to 1000 Volt **CURRENT** 2 Ampere

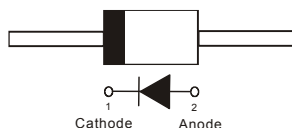
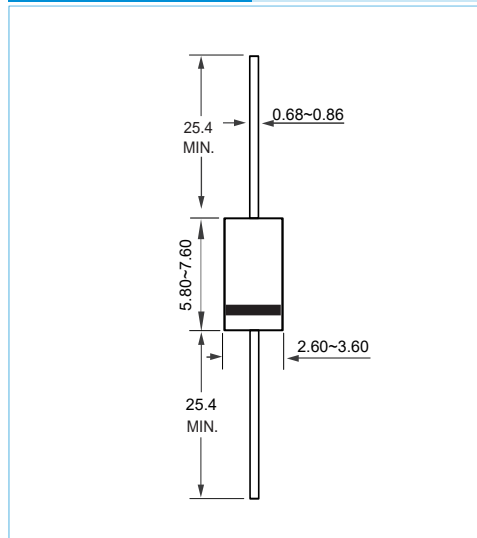
DO-15 Unit:mm

FEATURES

- High current capability
- Low leakage
- Fast switching for high efficiency.
- Lead free in compliance with EU RoHS2.0 (2011/65/EU & 2015/865/EU directive)

MECHANICAL DATA

- Case Material: Molded Plastic.
- UL Flammability Classification Rating 94V-0



MAXIMUM RATINGS AND ELECTRICAL CHARACTERISTICS

Ratings at 25°C ambient temperature unless otherwise specified.

PARAMETER	SYMBOL	FR201	FR202	FR203	FR204	FR205	FR206	FR207	UNITS
Maximum Recurrent Peak Reverse Voltage	V_{RRM}	50	100	200	400	600	800	1000	V
Maximum RMS Voltage	V_{RMS}	35	70	140	280	420	560	700	V
Maximum DC Blocking Voltage	V_{DC}	50	100	200	400	600	800	1000	V
Maximum Average Forward Current 0.375"(9.5mm) lead length at $T_A=55^{\circ}C$	$I_{F(AV)}$	2							A
Peak Forward Surge Current : 8.3ms single half sine-wave superimposed on rated load	I_{FSM}	60							A
Maximum Forward Voltage at 2A	V_F	1.3							V
Maximum DC Reverse Current at at Rated DC Blocking Voltage $T_J=25^{\circ}C$ $T_J=100^{\circ}C$	I_R	50 100							μA
Typical Junction Capacitance	C_J	40							pF
Maximum Reverse Recovery Time	t_{rr}	150					250	500	ns
Typical Thermal Resistance	$R_{\theta JA}$	67							$^{\circ}C/W$
Operating and Storage Temperature Range	T_J, T_{STG}	-55 to +150							$^{\circ}C$

Notes:1.High Temperature Solder Exemption Applied,see EU Directive Annex Notes 7.

FR201~FR207

Figure 1
Typical Forward Characteristics

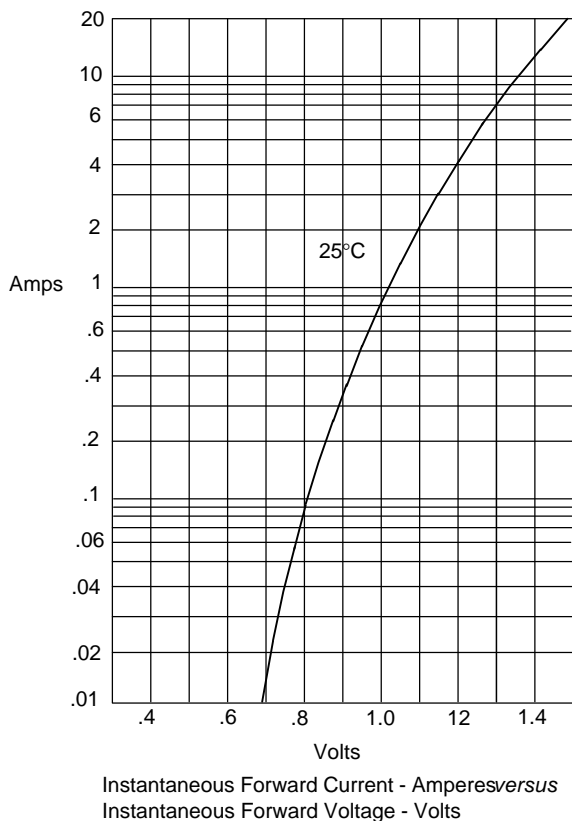


Figure 2
Forward Derating Curve

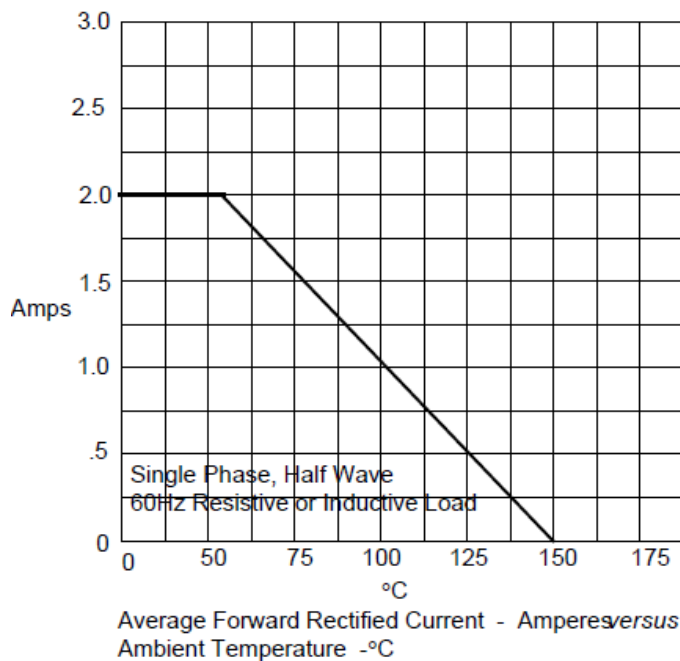


Figure 4
Maximum Non-Repetitive Forward Surge Current

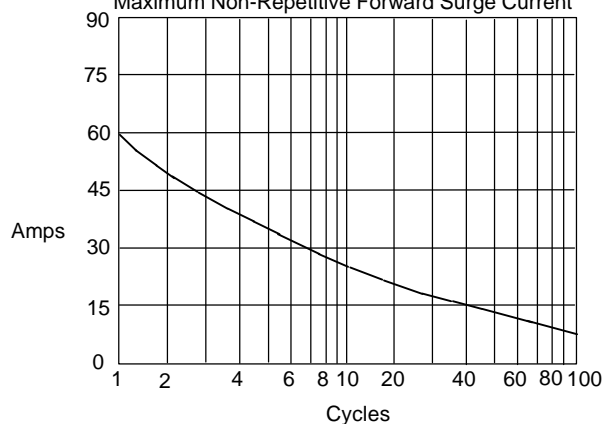
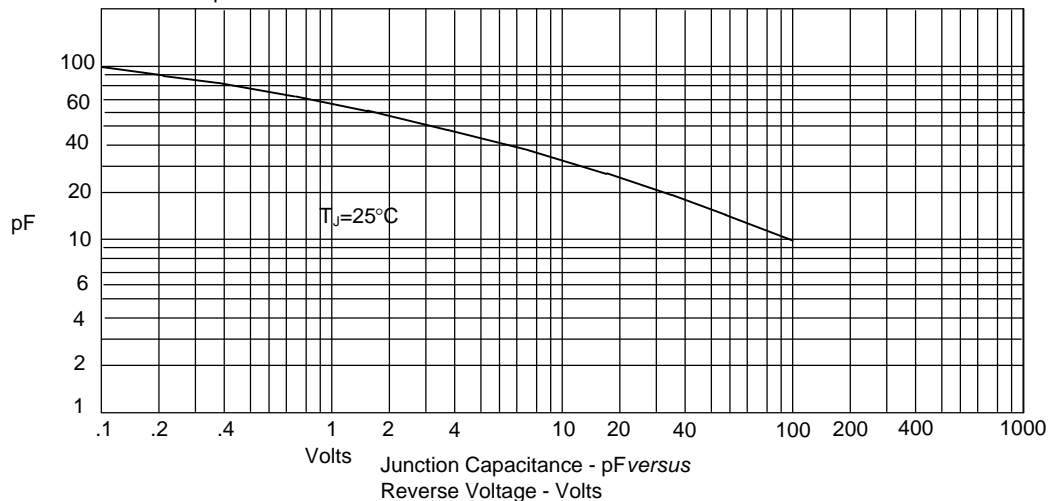


Figure 3
Junction Capacitance



FR201~FR207

Ordering Information

- Packing information

FR201~FR207	Packing Quantity
Tape&Reel	13 Inch; 4kpcs/Reel
Ammo Packing	3kpcs/Ammo Box
Bulk(Tube/Box)	1kpcs/Box