

RL201G ~ RL207G

GLASS PASSIVATED JUNCTION RECTIFIER

VOLTAGE 50 to 1000 Volt **CURRENT** 2.0Ampere

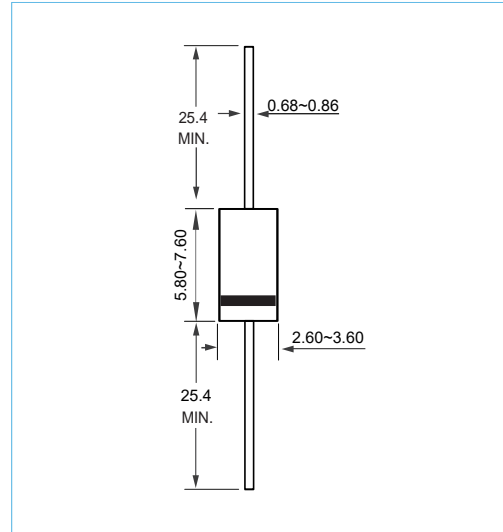
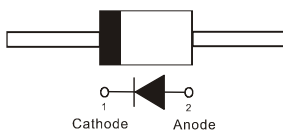
DO-15 Unit:mm

FEATURES

- Lead Free Finish/Rohs Compliant (Note1) ("P" Suffix designates Compliant. See ordering information)
- Low Cost
- Low Leakage
- Low Forward Voltage Drop
- High Current Capability

MECHANICAL DATA

- Case Material: Molded Plastic.
- UL Flammability Classification Rating 94V-0
- Mounting Position: Any



MAXIMUM RATINGS AND ELECTRICAL CHARACTERISTICS

Ratings at 25°C ambient temperature unless otherwise specified.

PARAMETER	SYMBOL	RL201G	RL202G	RL203G	RL204G	RL205G	RL206G	RL207G	UNITS
Maximum repetitive peak reverse voltage	V_{RRM}	50	100	200	400	600	800	1000	V
Maximum RMS voltage	V_{RMS}	35	70	140	280	420	560	700	V
Maximum DC blocking voltage	V_{DC}	50	100	200	400	600	800	1000	V
Maximum Average Forward Current $T_A = 50^\circ C$	$I_{F(AV)}$	2.0							A
Peak Forward Surge Current : 8.3ms single half sine-wave superimposed on rated load	I_{FSM}	60							A
Maximum instantaneous forward voltage at 2.0A	V_F	1.1							V
Maximum DC Reverse Current at Rated DC Blocking Voltage $T_J = 25^\circ C$ $T_J = 100^\circ C$	I_R	5 50							μA
Typical junction capacitance at 4.0V, 1MHz	C_J	20							pF
Typical thermal resistance (Note 1)	$R_{\theta JA}$	40							$^\circ C/W$
Operating junction temperature range	T_J	-55 to +150							$^\circ C$
Storage temperature range	T_{STG}	-55 to +150							$^\circ C$

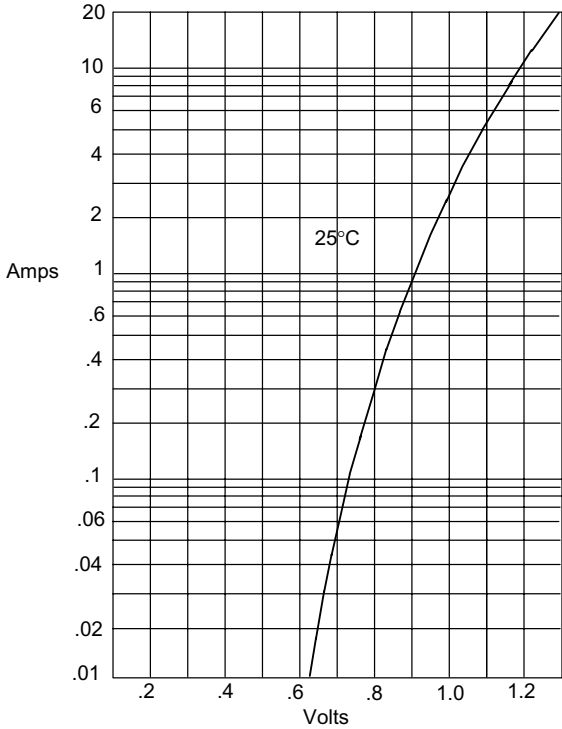
NOTES :

1. Measured at 1 MHz and applied reverse voltage of 4 VDC.
2. Thermal Resistance from Junction to Ambient.
3. Reverse Recovery Time $I_F=0.5A$, $I_R=1A$, $I_{rr}=0.25A$

RL201G ~ RL207G

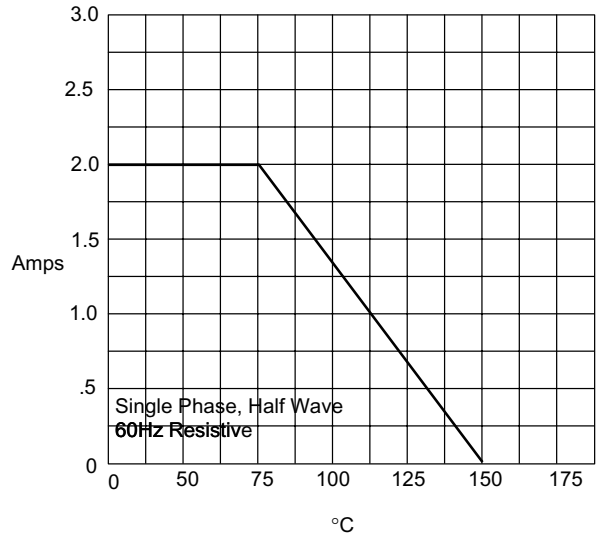
RATINGS AND CHARACTERISTIC CURVES

Figure 1
Typical Forward Characteristics



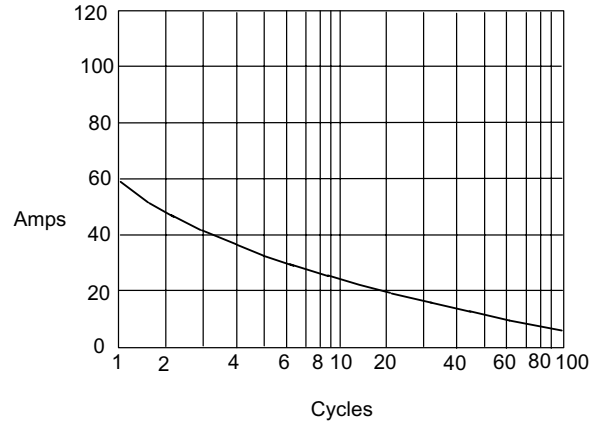
Instantaneous Forward Current - MicroAmperes *versus*
Instantaneous Forward Voltage - Volts

Figure 2
Forward Derating Curve



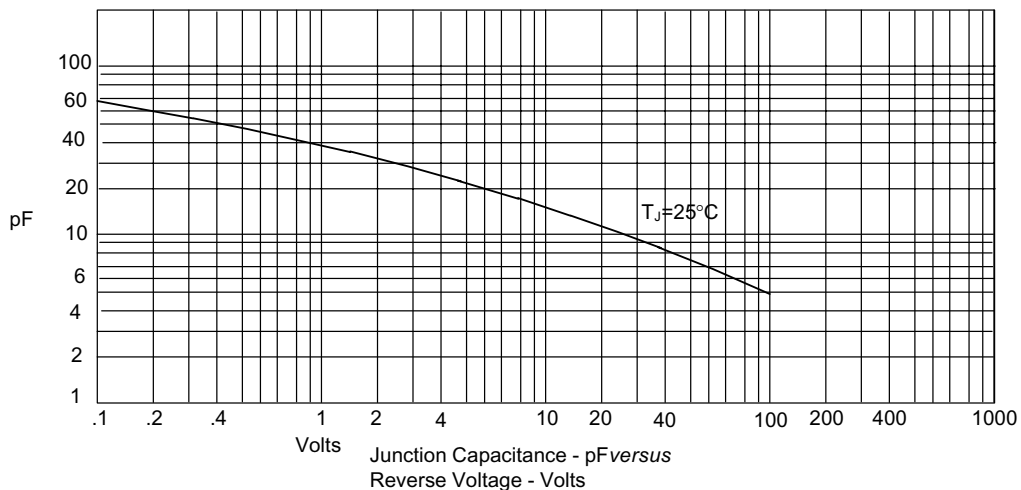
Average Forward Rectified Current - Amperes *versus*
Ambient Temperature - °C

Figure 4
Peak Forward Surge Current



Peak Forward Surge Current - Amperes *versus*
Number Of Cycles At 60Hz - Cycles

Figure 3
Junction Capacitance



RL201G ~ RL207G

Ordering Information

- Packing information

RL201G ~ RL207G	Packing Quantity
Tape&Reel	13 Inch; 4kpcs/Reel
Ammo Packing	3kpcs/Ammo Box
Bulk(Tube/Box)	1kpcs/Box