

# PG200R~PG2010R

## GLASS PASSIVATED JUNCTION FAST RECOVERY RECTIFIER

**VOLTAGE** 50 to 1000 Volt **CURRENT** 2 Ampere

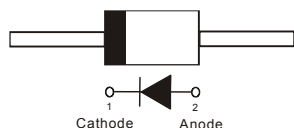
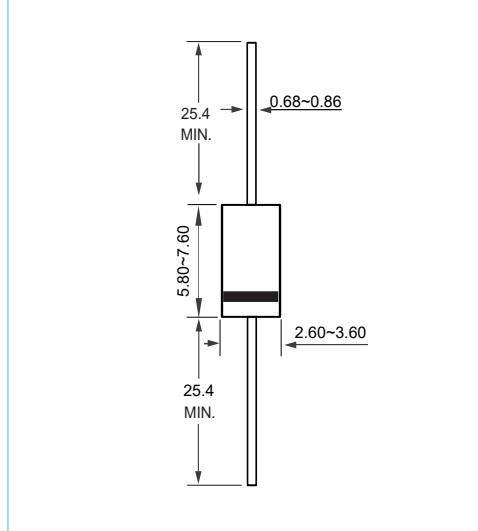
DO-15 Unit:mm

### FEATURES

- High current capability
- Plastic package has Underwriters Laboratories
- Low leakage
- Fast switching for high efficiency
- Lead free in compliance with EU RoHS2.0 (2011/65/EU & 2015/865/EU directive)

### MECHANICAL DATA

- Case Material: Molded Plastic.
- UL Flammability Classification Rating 94V-0



### MAXIMUM RATINGS AND ELECTRICAL CHARACTERISTICS

Ratings at 25°C ambient temperature unless otherwise specified.

PARAMETER	SYMBOL	PG200R	PG201R	PG202R	PG204R	PG206R	PG208R	PG2010R	UNITS
Maximum Recurrent Peak Reverse Voltage	$V_{RRM}$	50	100	200	400	600	800	1000	V
Maximum RMS Voltage	$V_{RMS}$	35	70	140	280	420	560	700	V
Maximum DC Blocking Voltage	$V_{DC}$	50	100	200	400	600	800	1000	V
Maximum Average Forward Current 0.375"(9.5mm) lead length at $T_A=55^\circ\text{C}$	$I_{F(AV)}$	2.0							A
Peak Forward Surge Current : 8.3ms single half sine-wave superimposed on rated load	$I_{FSM}$	70							A
Maximum Forward Voltage a 2 A	$V_F$	1.3							V
Maximum DC Reverse Current at at Rated DC Blocking Voltage $T_J=25^\circ\text{C}$ $T_J=100^\circ\text{C}$	$I_R$	1.0 50							$\mu\text{A}$
Typical Junction Capacitance	$C_J$	40							pF
Maximum Reverse Recovery Time	$t_{rr}$	150				250	500		ns
Typical Thermal Resistance	$R_{\theta JA}$	67							$^\circ\text{C/W}$
Operating and Storage Temperature Range	$T_J, T_{STG}$	-55 to +150							$^\circ\text{C}$

Notes:1.High Temperature Solder Exemption Applied,see EU Directive Annex Notes 7.

# PG200R~PG2010R

Figure 1  
Typical Forward Characteristics

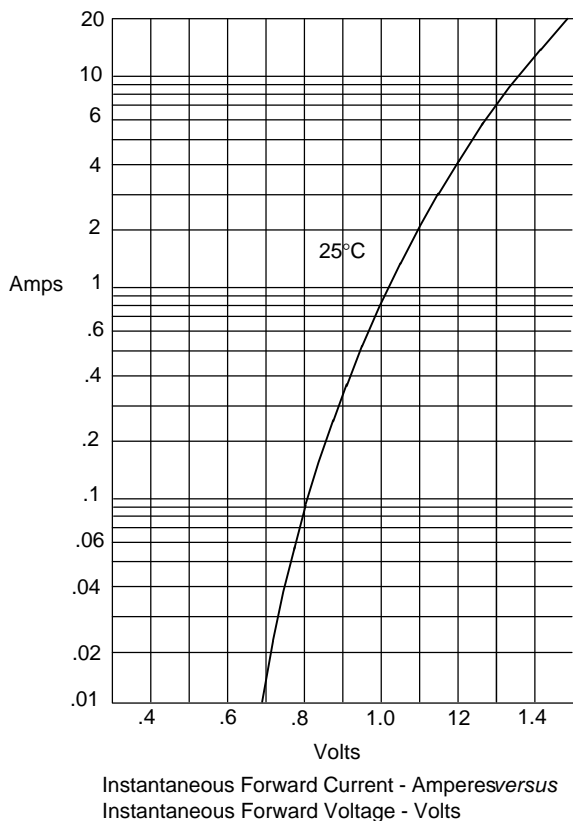


Figure 2  
Forward Derating Curve

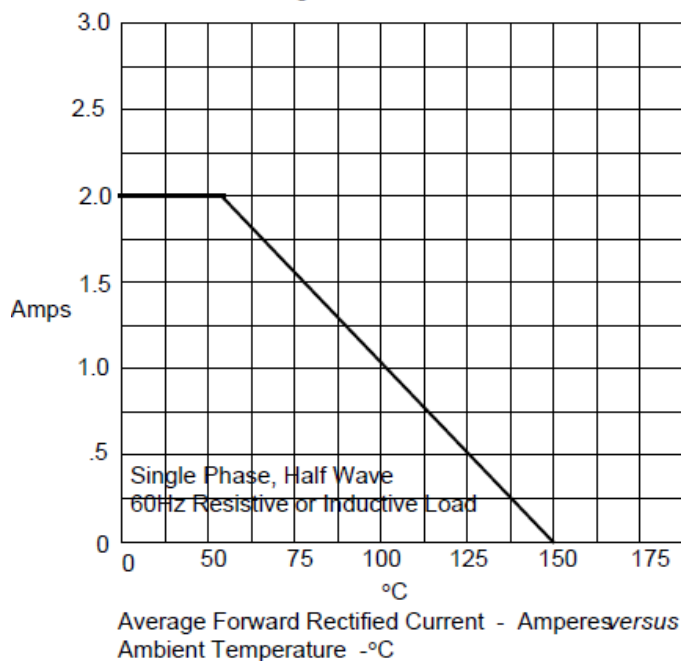


Figure 4  
Maximum Non-Repetitive Forward Surge Current

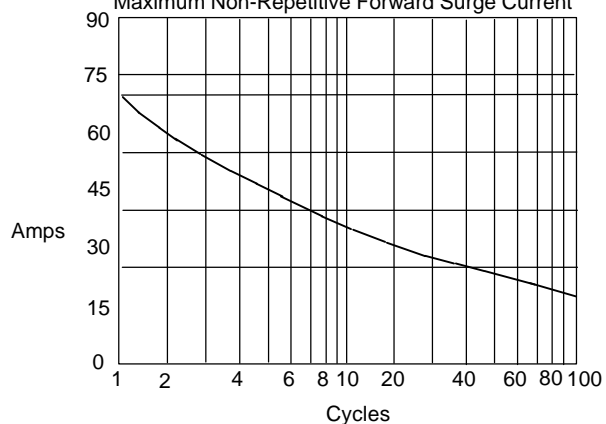
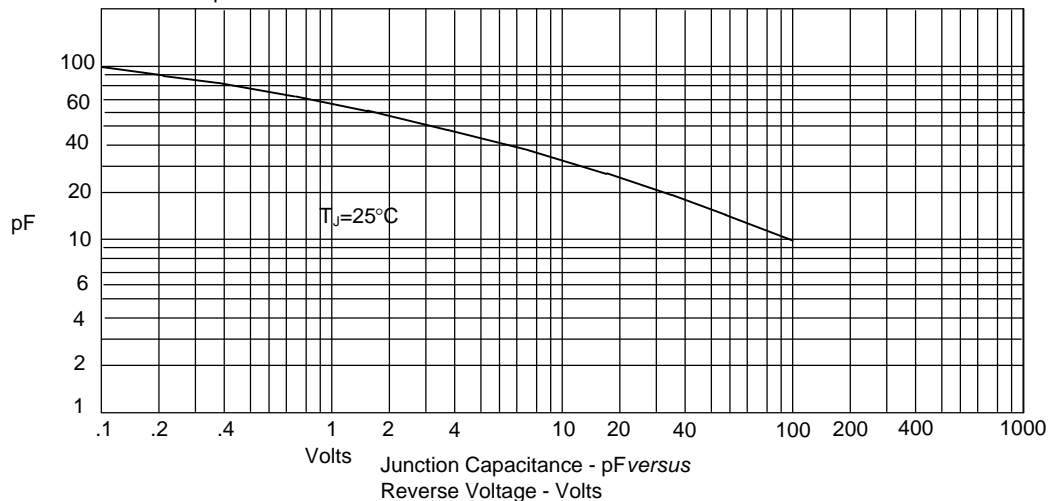


Figure 3  
Junction Capacitance



## PG200R~PG2010R

---

### Ordering Information

- Packing information

PG200R~PG2010R	Packing Quantity
Tape&Reel	13 Inch; 4kpcs/Reel
Ammo Packing	3kpcs/Ammo Box
Bulk(Tube/Box)	1kpcs/Box