

# PG150R~PG1510R

## GLASS PASSIVATED JUNCTION FAST RECOVERY RECTIFIER

**VOLTAGE** 50 to 1000 Volt **CURRENT** 1.5 Ampere

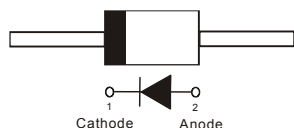
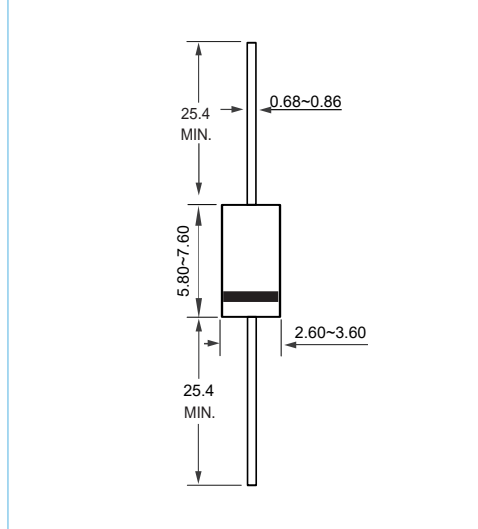
DO-15 Unit:mm

### FEATURES

- High current capability
- Plastic package has Underwriters Laboratories
- Low leakage
- Fast switching for high efficiency
- Lead free in compliance with EU RoHS2.0 (2011/65/EU & 2015/865/EU directive)

### MECHANICAL DATA

- Case Material: Molded Plastic.
- UL Flammability Classification Rating 94V-0



### MAXIMUM RATINGS AND ELECTRICAL CHARACTERISTICS

Ratings at 25°C ambient temperature unless otherwise specified.

PARAMETER	SYMBOL	PG150R	PG151R	PG152R	PG154R	PG156R	PG158R	PG1510R	UNITS
Maximum Recurrent Peak Reverse Voltage	$V_{RRM}$	50	100	200	400	600	800	1000	V
Maximum RMS Voltage	$V_{RMS}$	35	70	140	280	420	560	700	V
Maximum DC Blocking Voltage	$V_{DC}$	50	100	200	400	600	800	1000	V
Maximum Average Forward Current 0.375"(9.5mm) lead length at $T_A=55^{\circ}C$	$I_{F(AV)}$	1.5							A
Peak Forward Surge Current : 8.3ms single half sine-wave superimposed on rated load	$I_{FSM}$	50							A
Maximum Forward Voltage at 1.5A	$V_F$	1.3							V
Maximum DC Reverse Current at at Rated DC Blocking Voltage $T_J=25^{\circ}C$ $T_J=100^{\circ}C$	$I_R$	1.0 50							$\mu A$
Typical Junction Capacitance	$C_J$	40							pF
Maximum Reverse Recovery Time	$t_{rr}$	150				250	500		ns
Typical Thermal Resistance	$R_{\theta JA}$	67							$^{\circ}C/W$
Operating and Storage Temperature Range	$T_J, T_{STG}$	-55 to +150							$^{\circ}C$

# PG150R~PG1510R

Figure 1  
Typical Forward Characteristics

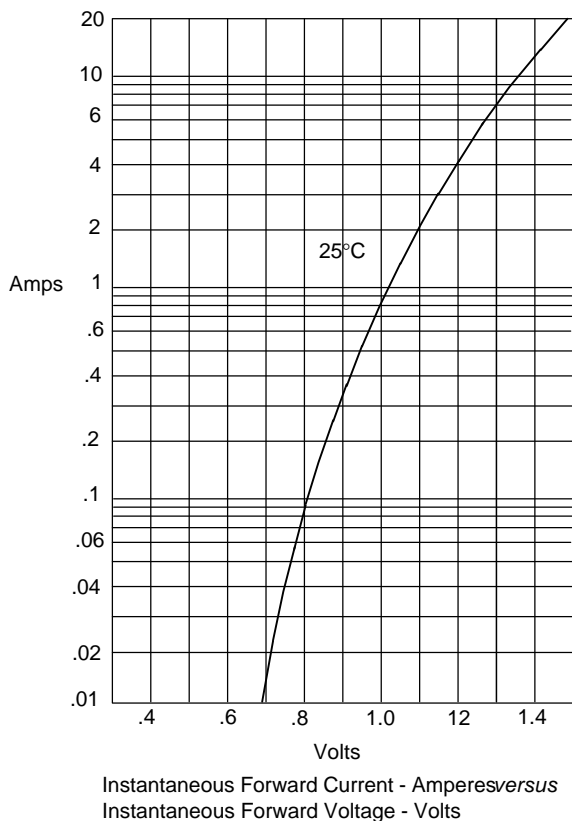


Figure 2  
Forward Derating Curve

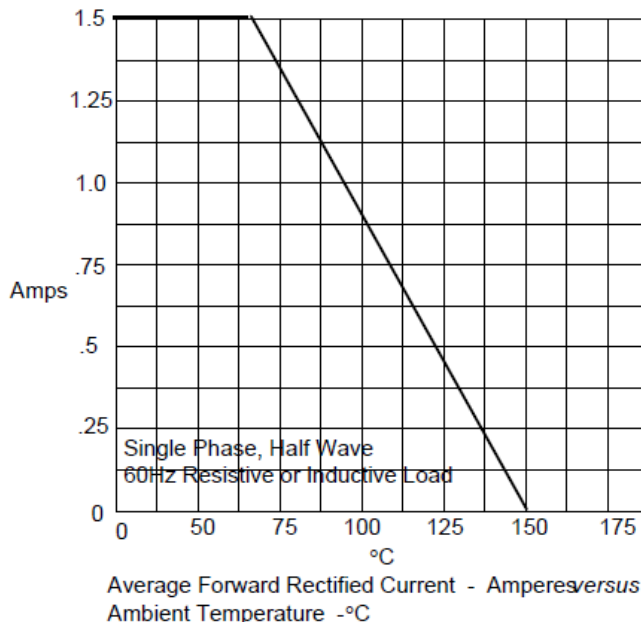


Figure 4  
Maximum Non-Repetitive Forward Surge Current

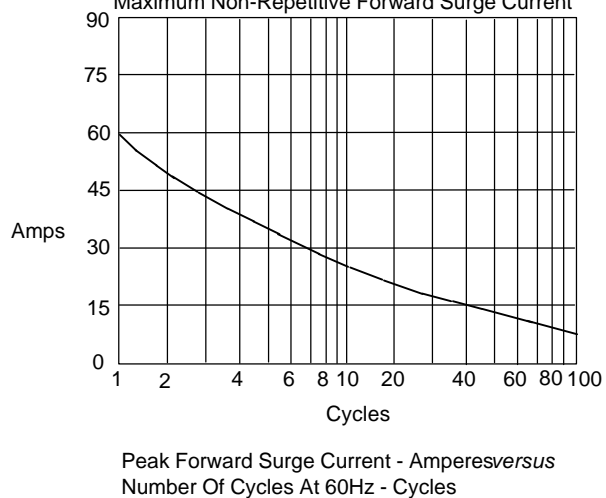
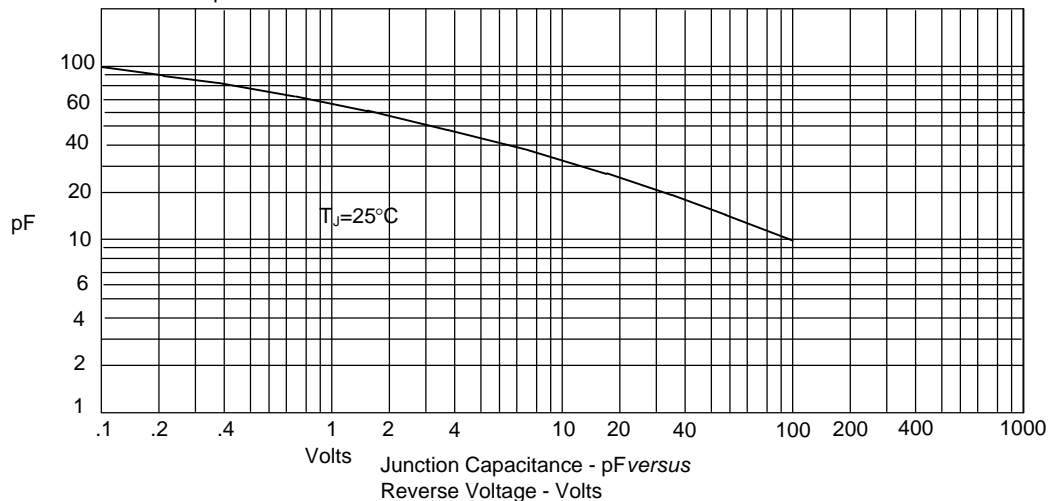


Figure 3  
Junction Capacitance



## PG150R~PG1510R

---

### Ordering Information

- Packing information

PG150R~PG1510R	Packing Quantity
Tape&Reel	13 Inch; 4kpcs/Reel
Ammo Packing	3kpcs/Ammo Box
Bulk(Tube/Box)	1kpcs/Box