

BY296G~BY299G

GLASS PASSIVATED JUNCTION FAST RECOVERY RECTIFIER

VOLTAGE 100 to 800 Volt **CURRENT** 2 Ampere

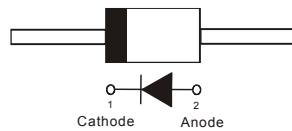
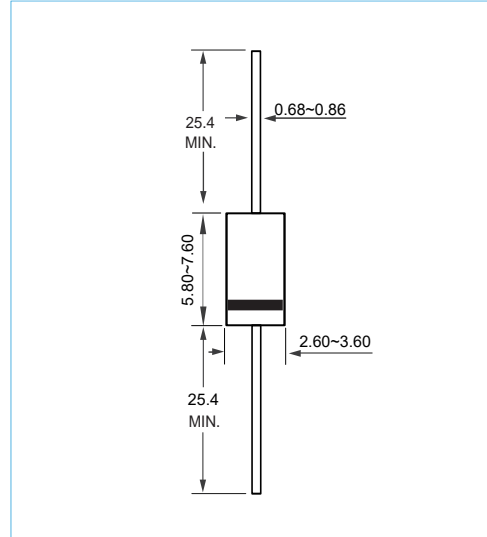
DO-15 Unit:mm

FEATURES

- High current capability
- Low leakage
- Fast switching for high efficiency.
- Lead free in compliance with EU RoHS2.0 (2011/65/EU & 2015/865/EU directive)

MECHANICAL DATA

- Case Material: Molded Plastic.
- UL Flammability Classification Rating 94V-0



MAXIMUM RATINGS AND ELECTRICAL CHARACTERISTICS

Ratings at 25°C ambient temperature unless otherwise specified.

PARAMETER	SYMBOL	BY296G	BY297G	BY298G	BY299G	UNITS
Maximum Recurrent Peak Reverse Voltage	V_{RRM}	100	200	400	800	V
Maximum RMS Voltage	V_{RMS}	70	140	280	560	V
Maximum DC Blocking Voltage	V_{DC}	100	200	400	800	V
Maximum Average Forward Current 0.375"(9.5mm) lead length at $T_A=55^{\circ}C$	$I_{F(AV)}$	2				A
Peak Forward Surge Current : 8.3ms single half sine-wave superimposed on rated load	I_{FSM}	70				A
Maximum Forward Voltage at 2A	V_F	1.3				V
Maximum DC Reverse Current at at Rated DC Blocking Voltage $T_J=25^{\circ}C$ $T_J=100^{\circ}C$	I_R	10 200				μA
Typical Junction Capacitance	C_J	40				pF
Maximum Reverse Recovery Time	t_{rr}	150				ns
Typical Thermal Resistance	$R_{\theta JA}$	67				$^{\circ}C/W$
Operating and Storage Temperature Range	T_J, T_{STG}	-55 to +150				$^{\circ}C$

BY296G~BY299G

Figure 1
Typical Forward Characteristics

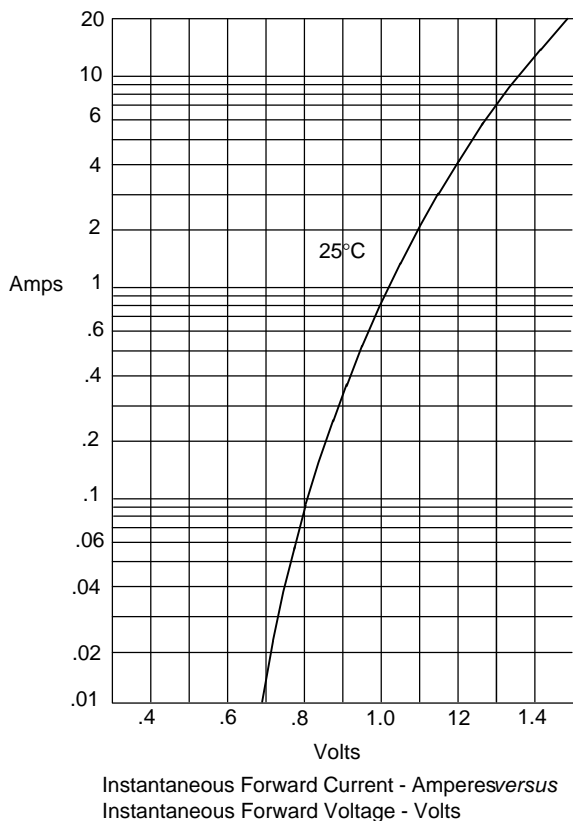


Figure 2
Forward Derating Curve

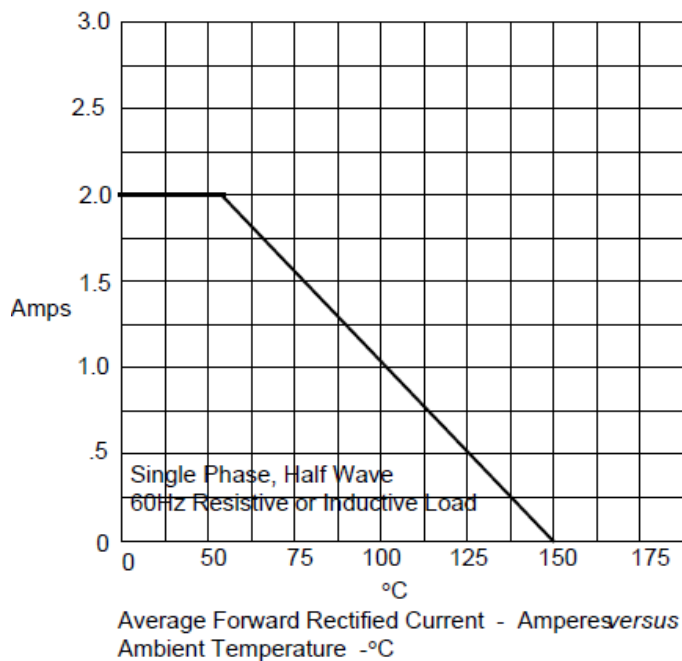


Figure 4
Maximum Non-Repetitive Forward Surge Current

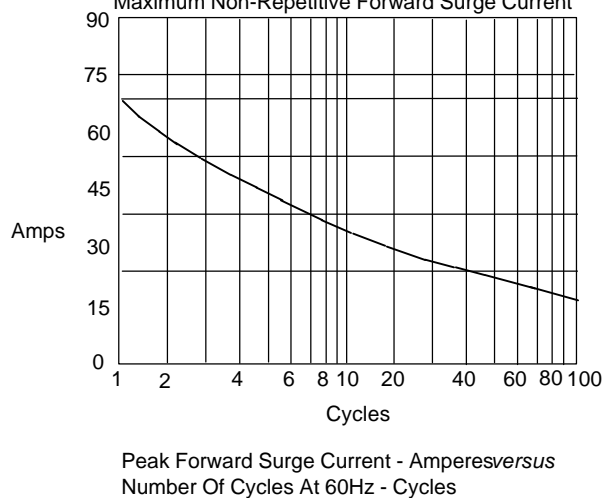
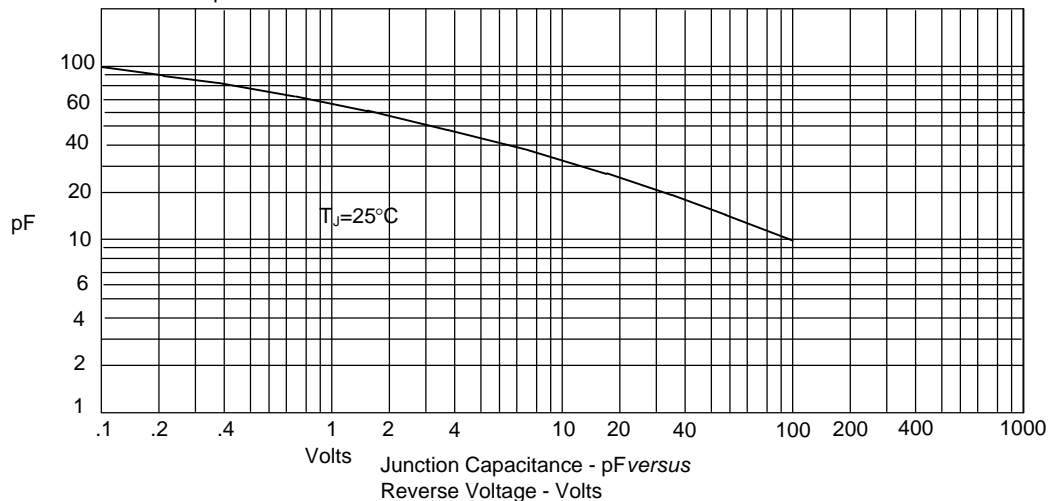


Figure 3
Junction Capacitance



BY296G~BY299G

Ordering Information

- Packing information

BY296G~BY299G	Packing Quantity
Tape&Reel	13 Inch; 4kpcs/Reel
Ammo Packing	3kpcs/Ammo Box
Bulk(Tube/Box)	1kpcs/Box