

DB201~DB207

BRIDGE RECTIFIERS

VOLTAGE	50 to 1000 Volt	CURRENT	2.0 Ampere
----------------	------------------------	----------------	-------------------

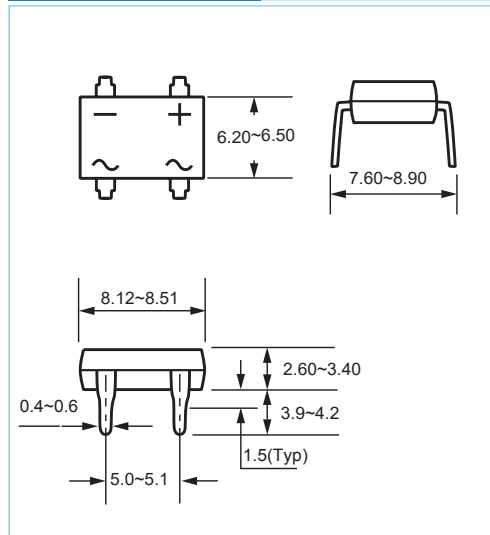
DB-1	Unit:mm
-------------	---------

FEATURES

- Glass Passivated Diode Construction
- Polarity symbols molded on body
- Ideal for printed circuit board
- Lead free in compliance with EU RoHS

MECHANICAL DATA

- Case Material: Molded Plastic.
- UL Flammability Classification Rating 94V-0



MAXIMUM RATINGS AND ELECTRICAL CHARACTERISTICS

Ratings at 25°C ambient temperature unless otherwise specified.

PARAMETER	SYMBOL	DB201	DB202	DB203	DB204	DB205	DB206	DB207	UNITS
Maximum Recurrent Peak Reverse Voltage	V_{RRM}	50	100	200	400	600	800	1000	V
Maximum RMS Voltage	V_{RMS}	35	70	140	280	420	560	700	V
Maximum DC Blocking Voltage	V_{DC}	50	100	200	400	600	800	1000	V
Maximum Average Forward Current (see FIG.1)	$I_{F(AV)}$	2.0							A
Peak Forward Surge Current : 8.3ms single half sine-wave superimposed on rated load	I_{FSM}	60							A
Maximum Forward Voltage at 2.0 A	V_F	1.1							V
Maximum DC Reverse Current at Rated DC Blocking Voltage	I_R	10 500							μA
Thermal Resistance	$R_{\theta JC}$	40							°C / W
Operating Junction Temperature Range	T_J	-55 to +150							°C
Storage Temperature Range	T_{STG}	-55 to +150							°C

DB201~DB207

RATING AND CHARACTERISTIC CURVES

FIG. 1 - TYPICAL FORWARD CURRENT DERATING CURVE

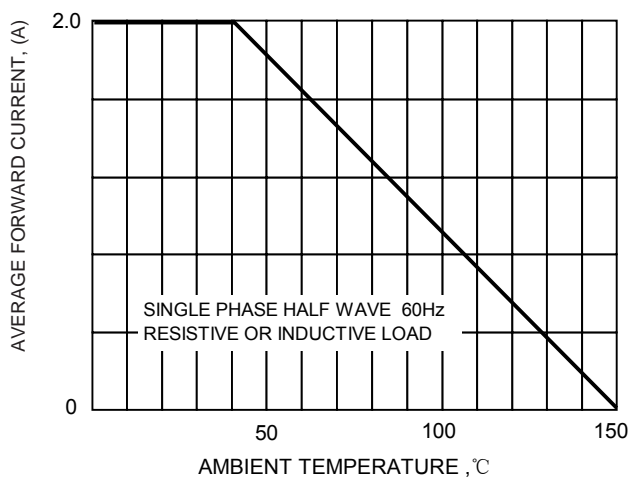


FIG. 2 - MAXIMUM NON-REPETITIVE FORWARD SURGE CURRENT

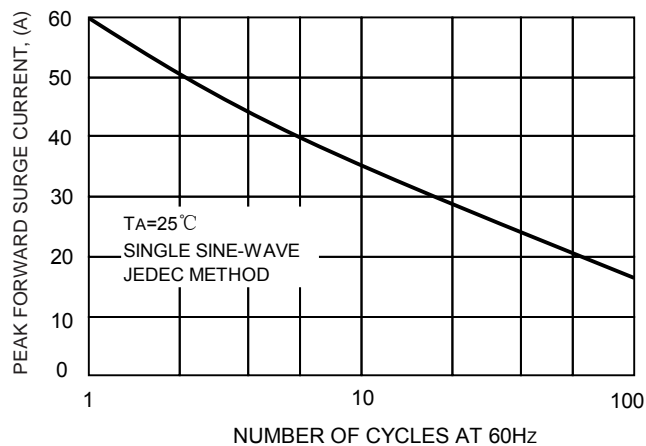


FIG.3-TYPICAL FORWARD CHARACTERISTICS

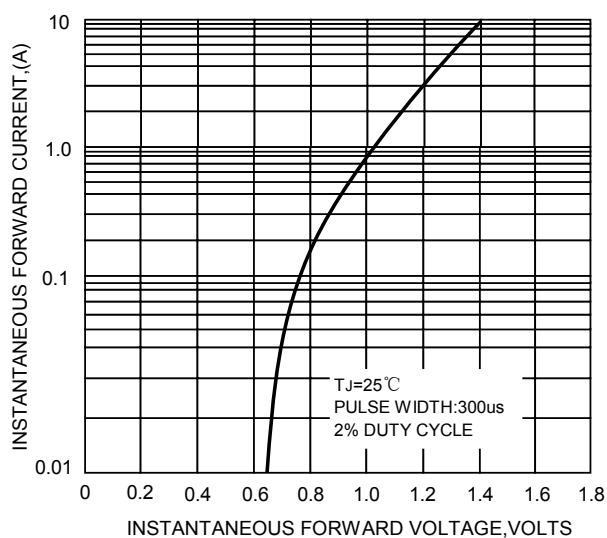
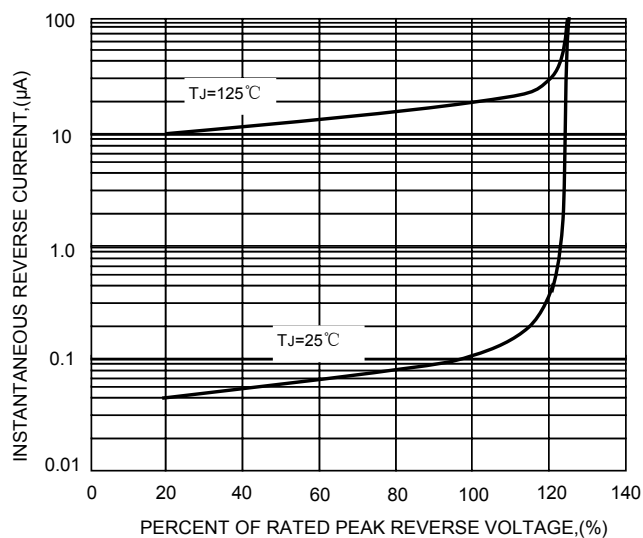


FIG.5-TYPICAL REVERSE CHARACTERISTICS



DB201~DB207

Ordering Information

- Packing information

DB201~DB207	Packing Quantity
Tape&Reel	N/A
Bulk(Tube/Box)	50pcs/Tube; 2.5kpcs/Box; 10kpcs/Ctn