

# DB101~DB107

## BRIDGE RECTIFIERS

**VOLTAGE** 50 to 1000 Volt **CURRENT** 1.0 Ampere

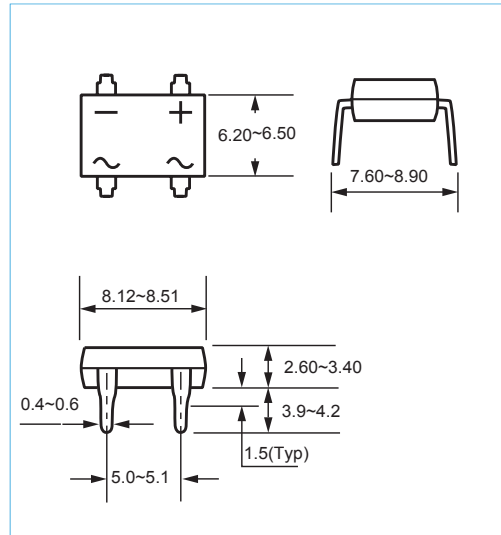
**DB-1** Unit:mm

### FEATURES

- Glass Passivated Diode Construction
- Polarity symbols molded on body
- Ideal for printed circuit board
- Lead free in compliance with EU RoHS

### MECHANICAL DATA

- Case Material: Molded Plastic.
- UL Flammability Classification Rating 94V-0



### MAXIMUM RATINGS AND ELECTRICAL CHARACTERISTICS

Ratings at 25°C ambient temperature unless otherwise specified.

PARAMETER	SYMBOL	DB101	DB102	DB103	DB104	DB105	DB106	DB107	UNITS
Maximum Recurrent Peak Reverse Voltage	$V_{RRM}$	50	100	200	400	600	800	1000	V
Maximum RMS Voltage	$V_{RMS}$	35	70	140	280	420	560	700	V
Maximum DC Blocking Voltage	$V_{DC}$	50	100	200	400	600	800	1000	V
Maximum Average Forward Current (see FIG.1)	$I_{F(AV)}$	1.0							A
Peak Forward Surge Current : 8.3ms single half sine-wave superimposed on rated load	$I_{FSM}$	50							A
Maximum Forward Voltage at 1.0 A	$V_F$	1.1							V
Maximum DC Reverse Current at Rated DC Blocking Voltage	$I_R$	10 500							$\mu A$
Thermal Resistance	$R_{\theta JA}$	40							°C / W
Operating Junction Temperature Range	$T_J$	-55 to +150							°C
Storage Temperature Range	$T_{STG}$	-55 to +150							°C

# DB101~DB107

## RATING AND CHARACTERISTIC CURVES

FIG. 1 - MAXIMUM NON-REPETITIVE FORWARD SURGE CURRENT

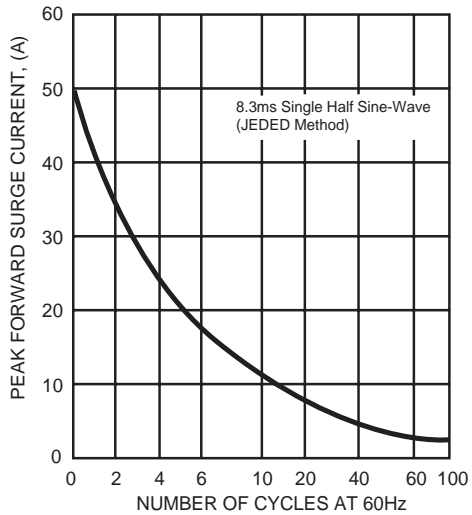


FIG. 2 - TYPICAL FORWARD CURRENT DERATING CURVE

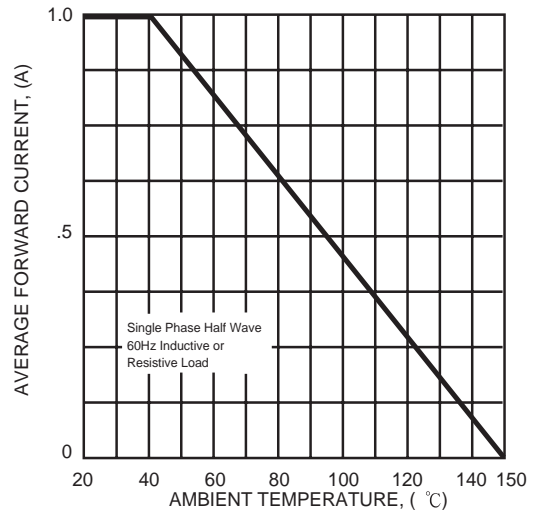


FIG. 3 - TYPICAL INSTANTANEOUS FORWARD CHARACTERISTICS

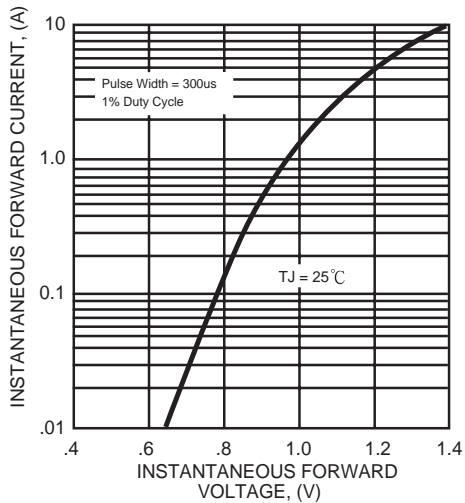
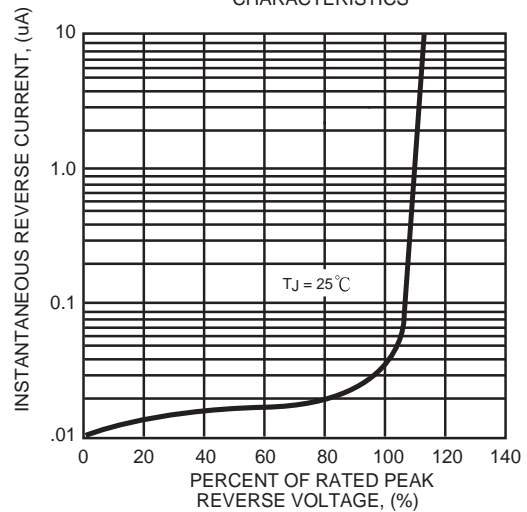


FIG. 4 - TYPICAL REVERSE CHARACTERISTICS



## DB101~DB107

---

### Ordering Information

- Packing information

DB101~DB107	Packing Quantity
Tape&Reel	N/A
Bulk(Tube/Box)	50pcs/Tube; 2.5kpcs/Box; 10kpcs/Ctn